

5.4 Low Headroom Hoist BD, REEVING 04, extended load

Technical Characteristics

Load (kg)	Frame	Falls	Duty ISO	Drum		Rope	Gear		Lifting Speeds			Traveling Speeds					
				Code	HOL (m)		Type	Ratio	Motor	Fixed speed (m/min)		tm / min	Gear Ratio	Motor	Fixed speed (m/min)		Wheel Diameter (mm)
										Low	High				Low	High	
12500	D	04	M4	D	9	G	E	223.8	P5	0.7	4	50	54.8	2pcs MF06LA104	6	24	150
				E	12												

Hoist dimensions

HOL (m)	Length code	M1 (mm)	H1 (mm)	H2 (mm)	H3 (mm)	H4 (mm)	BUF (mm)	Weight (kg)
9	D	546	488	88	671	618	802	610
12	E	666	488	118	671	618	922	660

Motor dimensions

Motor	P5
MOT (mm)	572
Weight (kg)	58

Trolley dimensions

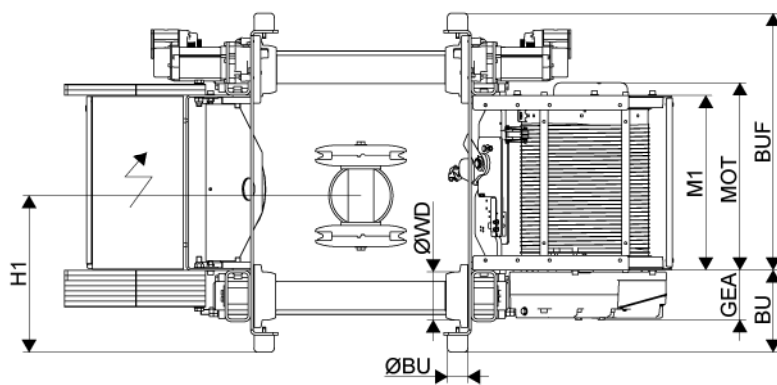
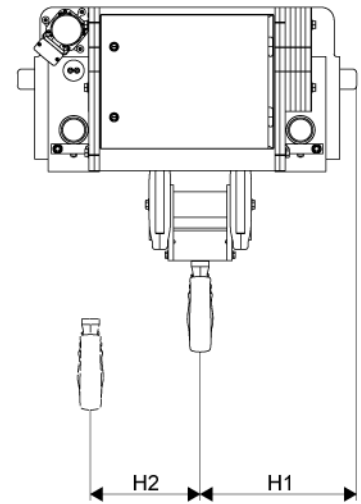
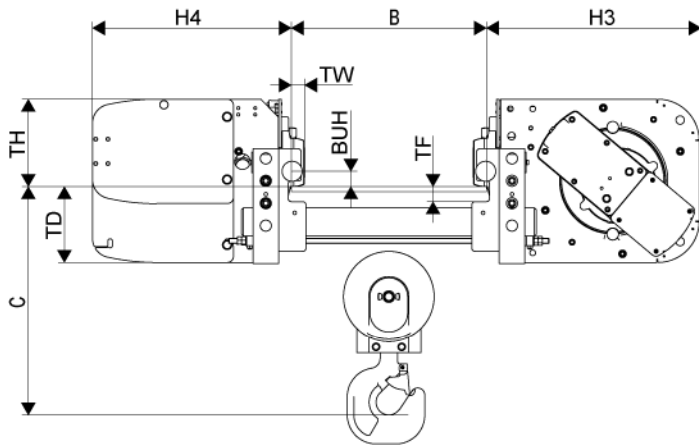
B min.	B max.	ØWD	ØBU	BU	BUH	GEA	TD	TF	TH	TW
100	610	150	63	256	48	155	245	47	277	44

D007561_A

C-dimensions

B			C
100	-	199	715
200	-	289	685
290	-	530	655
531	-	610	705

Note: All dimensions are in (mm).



D007561_A