

5.3 Low Headroom Hoist BD, REEVING 04

Technical Characteristics

Load (kg)	Frame	Falls	Duty ISO	Drum		Rope	Gear		Lifting Speeds				Traveling Speeds				
				Code	HOL (m)		Type	Ratio	Motor	Fixed speed (m/min)		tm / min	Gear Ratio	Motor	Fixed speed (m/min)		Wheel Diameter (mm)
										Low	High				Low	High	
8000	D	04	M6	D	9	G	F	185.3	P5	0.8	5	40	54.8	2pcs MF06MA104	5	20	125
10000	D	04	M5	D	9	G	F	185.3	P5	0.8	5	50	54.8	2pcs MF06MA104	5	20	125

Hoist dimensions

HOL (m)	Length code	M1 (mm)	H1 (mm)	H2 (mm)	H3 (mm)	H4 (mm)	BUF (mm)	Weight (kg)
9	D	546	489	88	668	618	802	610
12	E	666	489	118	668	618	922	660

Motor dimensions

Motor	P5
MOT (mm)	572
Weight (kg)	58

Trolley dimensions

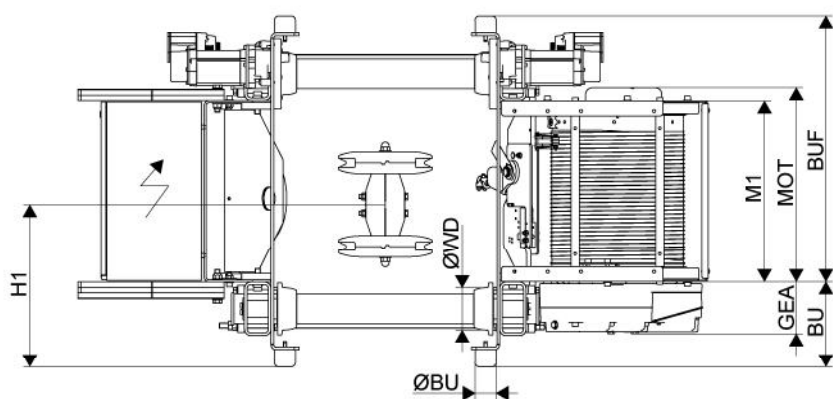
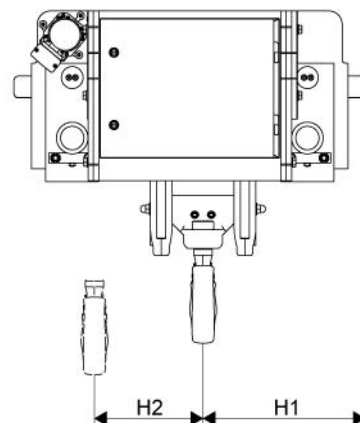
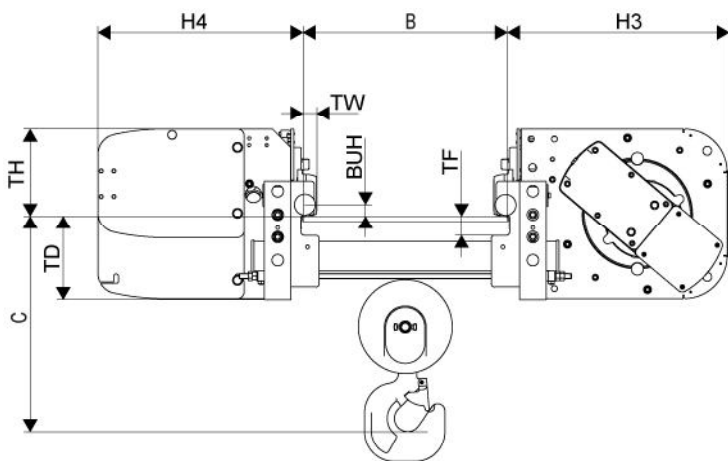
B min.	B max.	ØWD	ØBU	BU	BUH	GEA	TD	TF	TH	TW
100	610	125	63	256	35	155	256	60	266	42

D007560_A

C-dimensions

B	C
100 - 199	660
200 - 289	630
290 - 530	600
531 - 610	650

Note: All dimensions are in (mm).



D007560_A