

2.9 Double Girder Hoist BC, REEVING 04

Technical Characteristics

Load (kg)	Frame	Falls	Duty ISO	Drum		Rope	Gear		Lifting Speeds				Traveling Speeds			
				Code	HOL (m)		Type	Ratio	Motor	Fixed speed (m/min)		tm / min	Motor	Fixed speed (m/min)		Wheel Diameter (mm)
										Low	High			Low	High	
4000	C	04	M6	B C	6 9	D	F	160.3	P3	0.8	5	20	MF06LA104	5	20	90
5000	C	04	M5	B C	6 9	D	F	160.3	P3	0.8	5	25	MF06LA104	5	20	90
6300	C	04	M4	B C	6 9	D	E	192.6	P3	0.7	4	25	MF06LA104	5	20	90

Hoist dimensions

HOL m	Length code	M1 mm	M2 mm	H1 mm	H2 mm	R mm	Weight kg
6	B	346	372	537	49	1200	315
9	C	446	372	537	74	1200	325

Motor dimensions

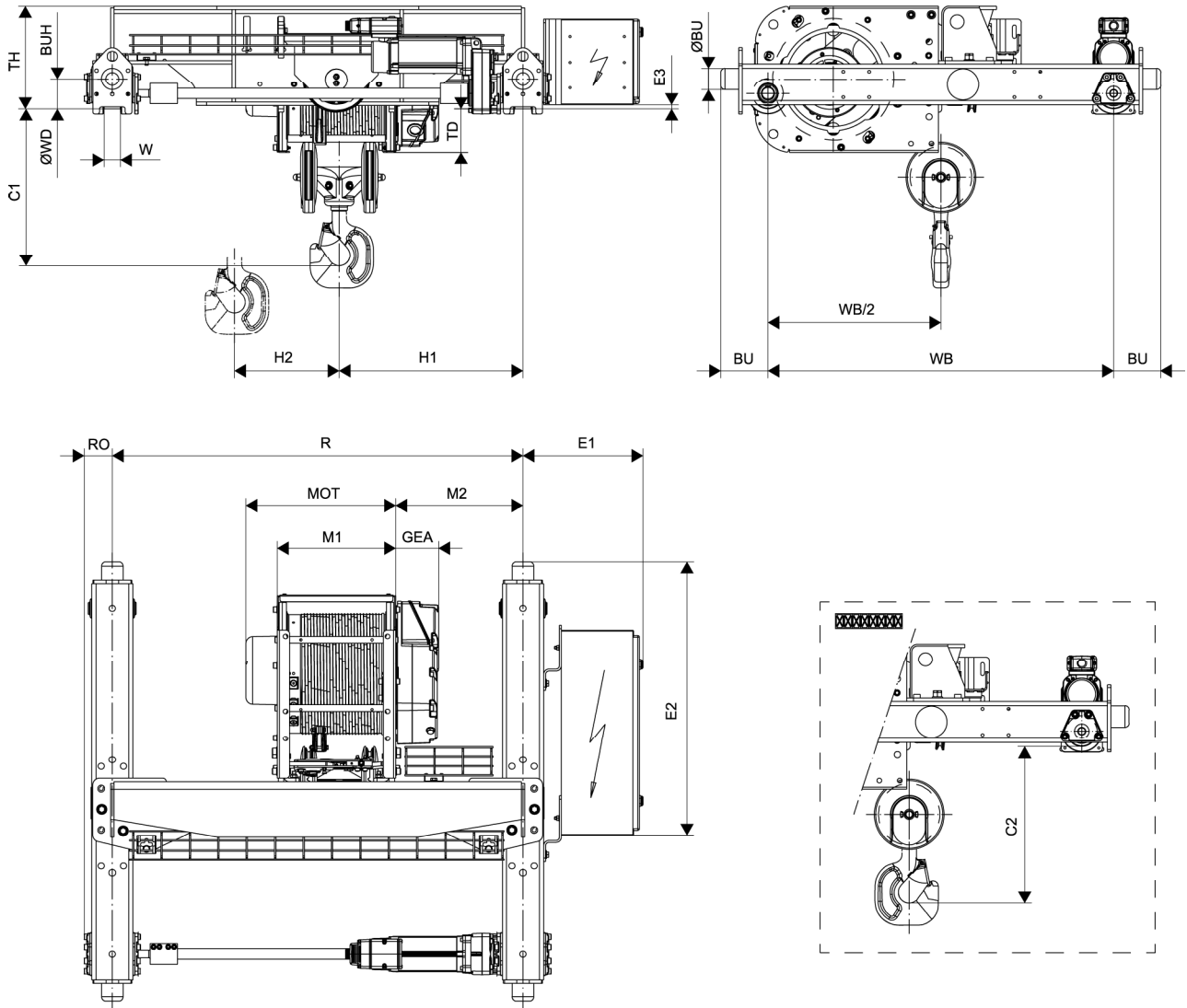
Motor	P3
MOT (mm)	468
Weight (kg)	35

Trolley dimensions

C1	C2	ØBU	BU	BUH	E1	E2	E3	GEA
400	416	63	138	90	327	758	12	125
H3	WB	ØWD	W min	W max	RO	TD	TH	
482	1010	90	50	70	83	126	304	

D007570_A

Note: All dimensions are in (mm).



D007570_A