

4.4 Low Headroom Hoist BC, REEVING 04, extended load

Technical Characteristics

Load (kg)	Frame	Falls	Duty ISO	Drum		Rope	Gear		Lifting Speeds			Traveling Speeds					
				Code	HOL (m)		Type	Ratio	Motor	Fixed speed (m/min)		tm / min	Gear Ratio	Motor	Fixed speed (m/min)		Wheel Diameter (mm)
										Low	High				Low	High	
6300	C	04	M4	B	6	D	E	192.6	P3	0.7	4	25	54.8	MF06MA104	5	20	125
				C	9												

Hoist dimensions

HOL (m)	Length code	M1 (mm)	H1 (mm)	H2 (mm)	H3 (mm)	H4 (mm)	TL (mm)	BUF (mm)	Weight (kg)
6	B	346	366	49	578	538	380	546	330
9	C	446	366	74	578	538	480	646	350

Motor dimensions

Motor	P3
MOT (mm)	468
Weight (kg)	35

Trolley dimensions

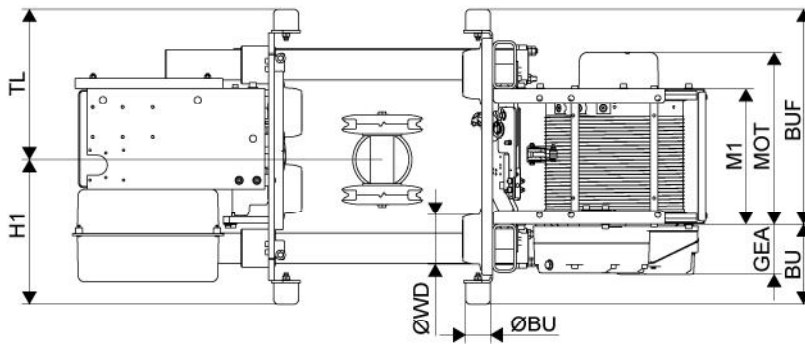
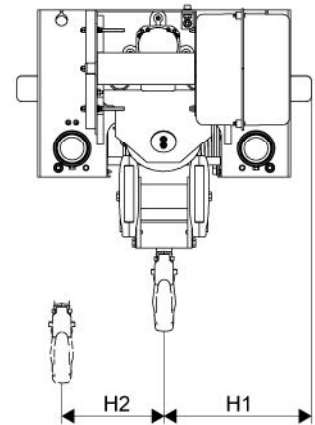
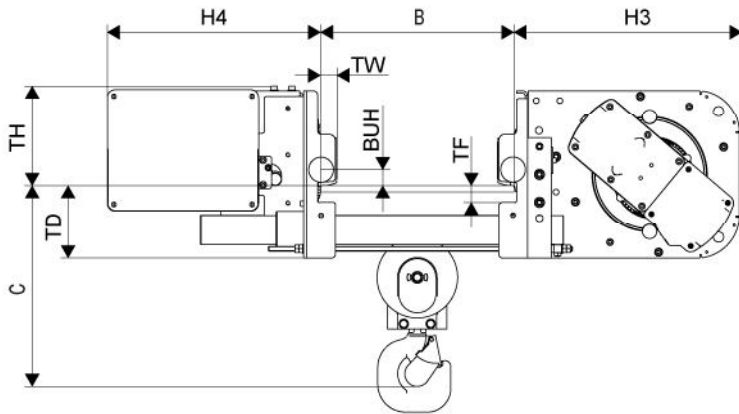
B min.	B max.	ØWD	ØBU	BU	BUH	GEA	TD	TF	TH	TW
100	490	125	63	200	41	126	190	42	253	42

D007557_A

C-dimensions

B	C
100 - 199	505
200 - 249	470
250 - 300	440
301 - 350	475
351 - 400	505
401 - 450	540
451 - 490	570

Note: All dimensions are in (mm).



D007557_A