

2.4 Double Girder Hoist BB, REEVING 04

Technical Characteristics

Load (kg)	Frame	Falls	Duty ISO	Drum		Rope	Gear		Lifting Speeds				Traveling Speeds			
				Code	HOL (m)		Type	Ratio	Motor	Fixed speed (m/min)		tm / min	Motor	Fixed speed (m/min)		Wheel Diameter (mm)
										Low	High			Low	High	
2000	B	04	M5	A	6	A	F	134.2	P1	0.8	5	10	MF06MA104	5	20	90
				C	9.5											
2500	B	04	M6	A	6	A	F	134.2	P2	0.8	5	12.5	MF06MA104	5	20	90
				C	9.5											
3200	B	04	M5	A	6	A	F	134.2	P2	0.8	5	16	MF06MA104	5	20	90
				C	9.5											

Hoist dimensions

HOL m	Length code	M1 mm	M2 mm	H1 mm	H2 mm	R mm	Weight kg
6	A	316	434	574	45	1200	225
9.5	C	446	434	574	72	1200	235

Motor dimensions

Motor	P1	P2
MOT (mm)	383	443
Weight (kg)	21	31

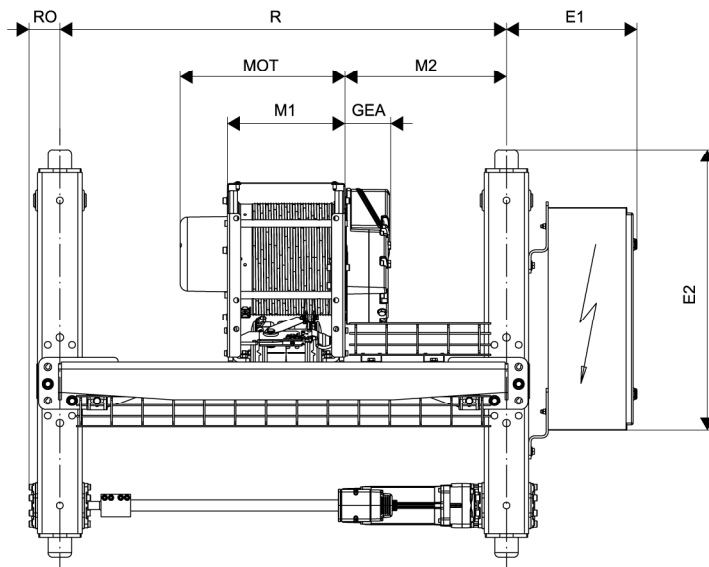
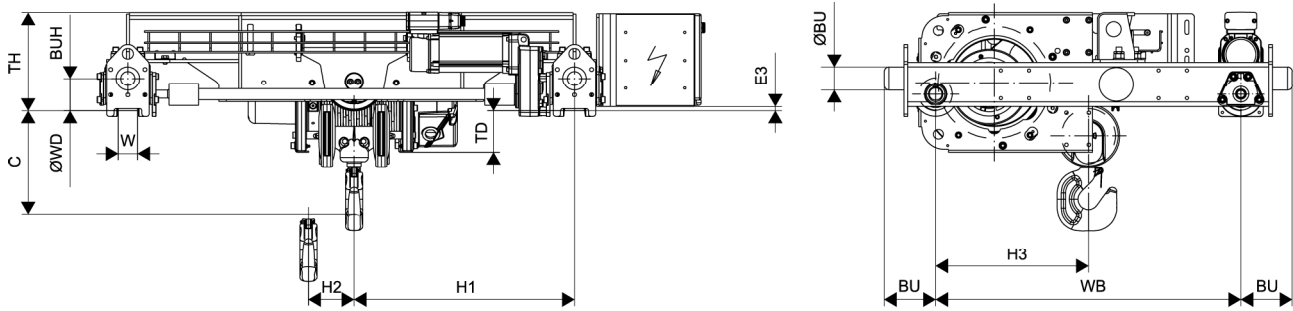
Trolley dimensions

C	ØBU	BU	BUH	E1	E2	E3	GEA	H3	WB
270	63	138	90	327	714	15	123	411	820
ØWD	W min	W max	RO	TD	TH				
90	50	70	83	113	268				

D007569_A

Note: All dimensions are in (mm).

Note: Weight is calculated with P1 motor.



D007569_A