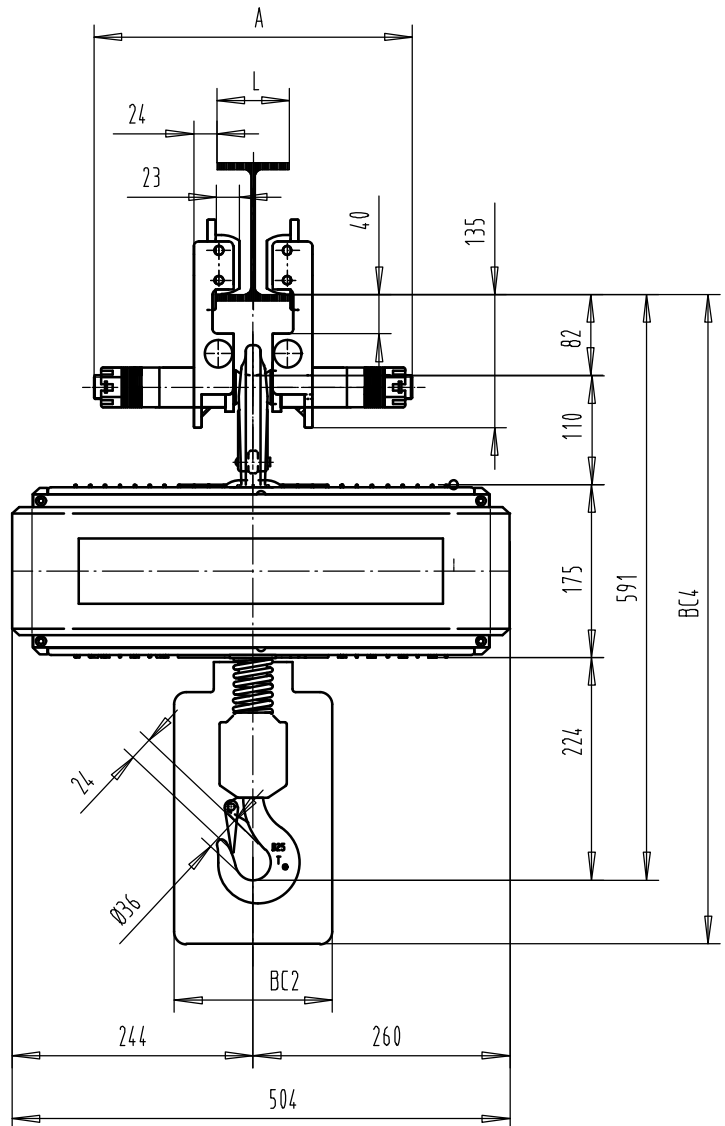
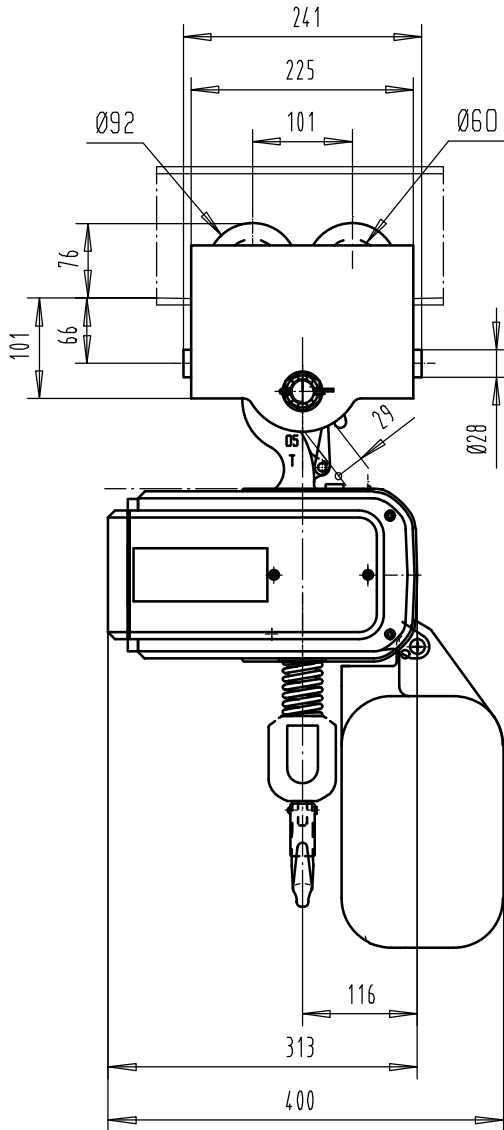


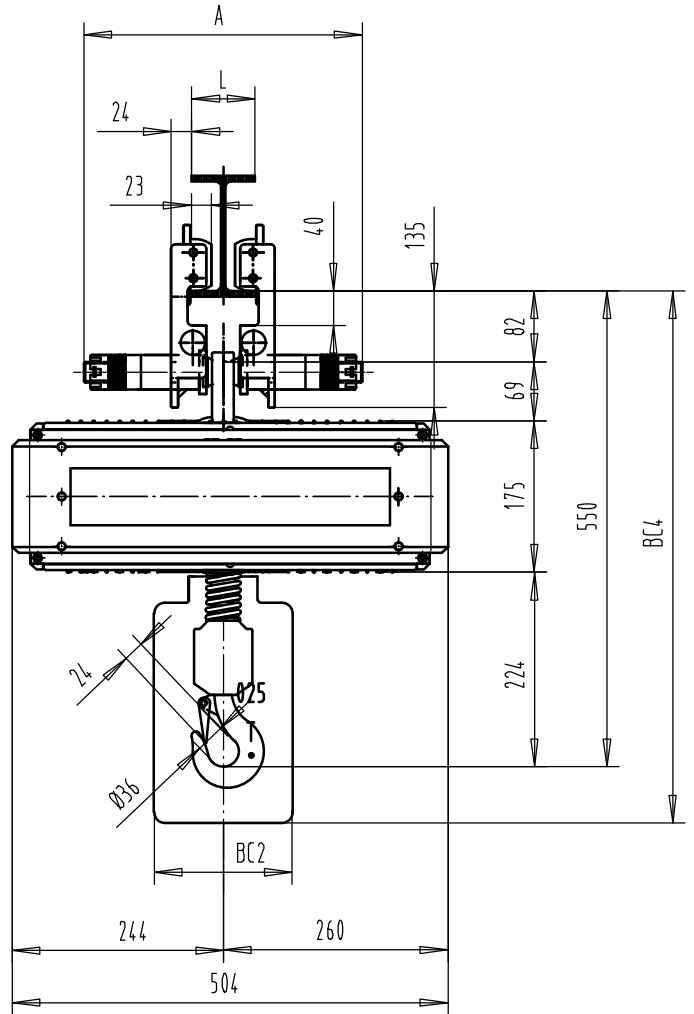
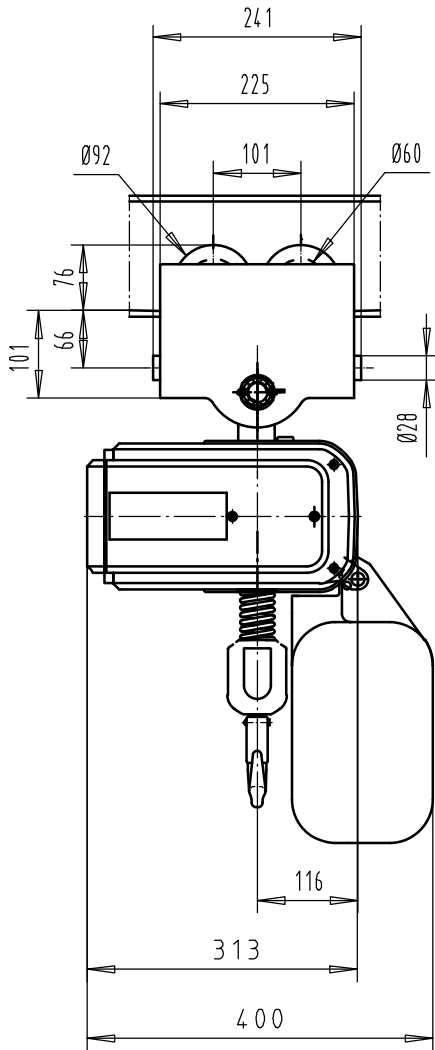
Mit Schiebefahrwerk FND 1000 kg ( Quer zur Kettzugachse )  
 Hooked to FND Manual trolley 1000 kg ( Perpendicular version )  
 Accroché à Chariot manuel FND 1000 kg ( Version perpendiculaire )



Chain bag capacity	BC4				BC2				kg
	<8m	<16m	<30m	<50m	<8m	<16m	<30m	<50m	
1 Brin/1 Fall	657	722	722	842	160	150	320	320	75

A	
65<L<200	322
200<L<310	430

Mit Schiebefahrwerk FND 1000 kg ( Quer zur Kettzugachse )  
 Hooked to FND Manual trolley 1000 kg ( Perpendicular version )  
 Accroché à Chariot manuel FND 1000 kg ( Version perpendiculaire )



Chain bag capacity	H4	C	B1	BC4				BC2				kg
				<8m	<16m	<30m	<50m	<8m	<16m	<30m	<50m	
1 Brin / 1 Fall	224	564	116	616	681	681	801	160	150	320	320	70
2 Brins / 2 Falls	285	625	145	616	681	681	801	160	150	320	320	75

	A
65<L<200	322
200<L<310	430