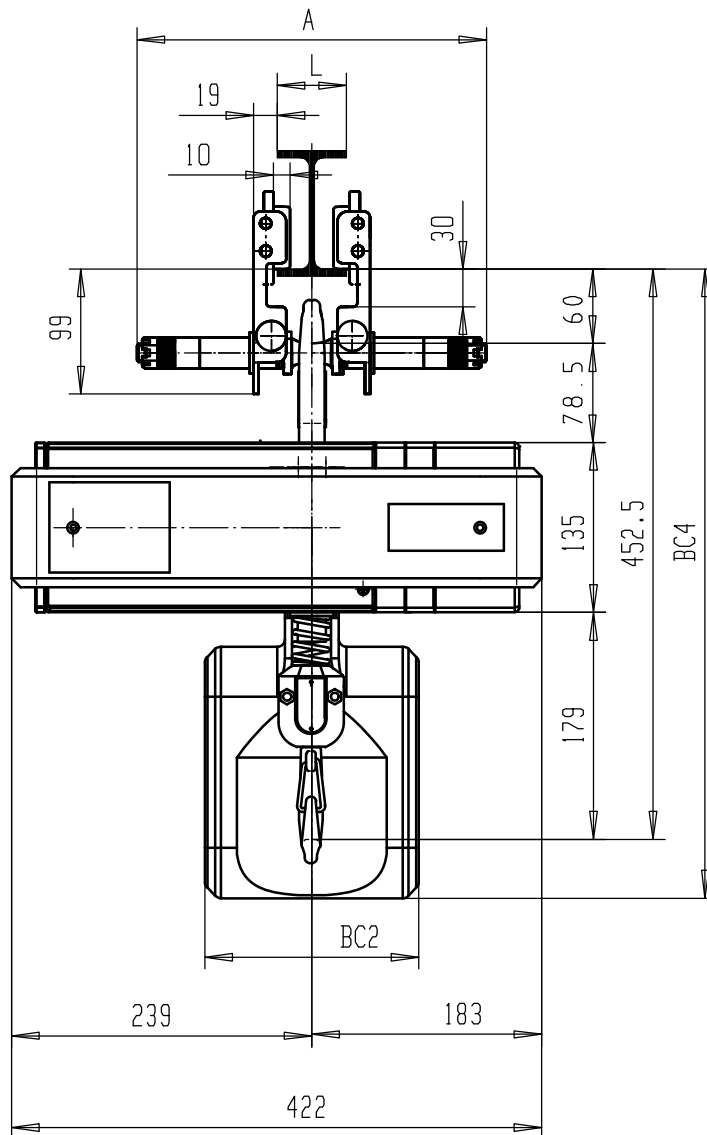
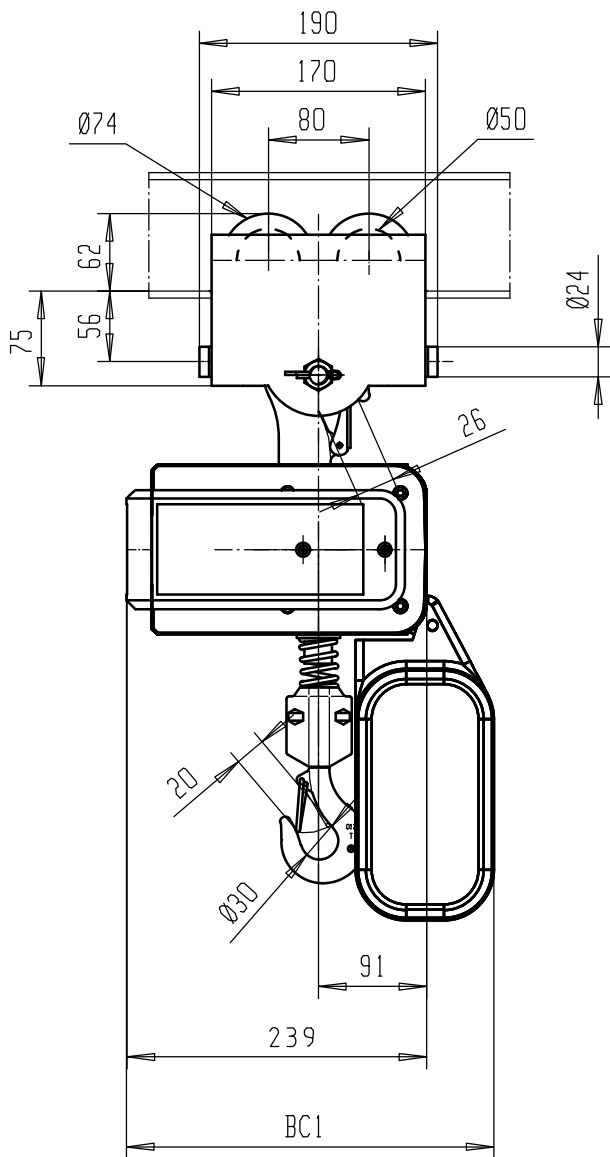


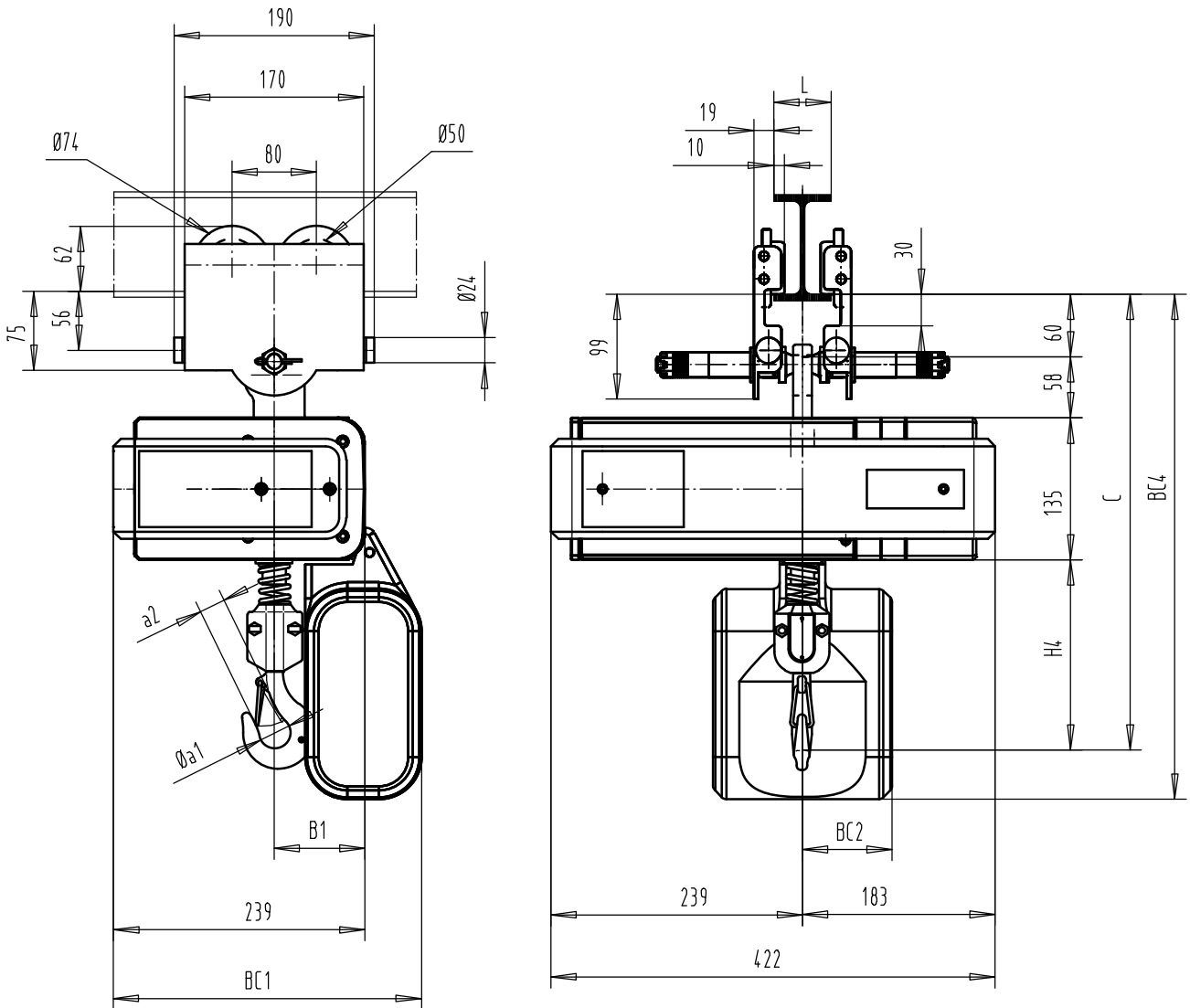
Mit Schiebefahrwerk FND 250 kg (Quer zur Kettenzugachse)
 Hooked to FND manual trolley 250 kg (Perpendicular version)
 Accroché à Chariot manuel FND 250 kg (Version perpendiculaire)



Chain bag capacity	BC4				BC1				BC2				kg
	<8m	<16m	<30m	<50m	<8m	<16m	<30m	<50m	<8m	<16m	<30m	<50m	
1 Brin/1 Fall	515	575	640	640	300	340	335	335	170	160	150	320	33.5

	A
50<L<202	278

Mit Schiebefahrwerk FND 250 kg (Quer zur Kettenzugachse)
 Fixed to FND Manual trolley 250 kg (Perpendicular version)
 Accouplé à Chariot manuel FND 250 kg (Version perpendiculaire)



Chain bag capacity	H4	C	B1	BC4				BC1				BC2				Ø a1	a2	kg
				<8m	<16m	<30m	<50m	<8m	<16m	<30m	<50m	<8m	<16m	<30m	<50m			
1 Brin/1 Fall	179	432	91	517	577	642	642	300	340	335	335	170	160	150	320	30	20	31
2 Brins/2 Falls	231	484	112	517	577	642	642	300	340	335	335	170	160	150	320	36	26	34

A	
50<L<200	303
188<L<310	411