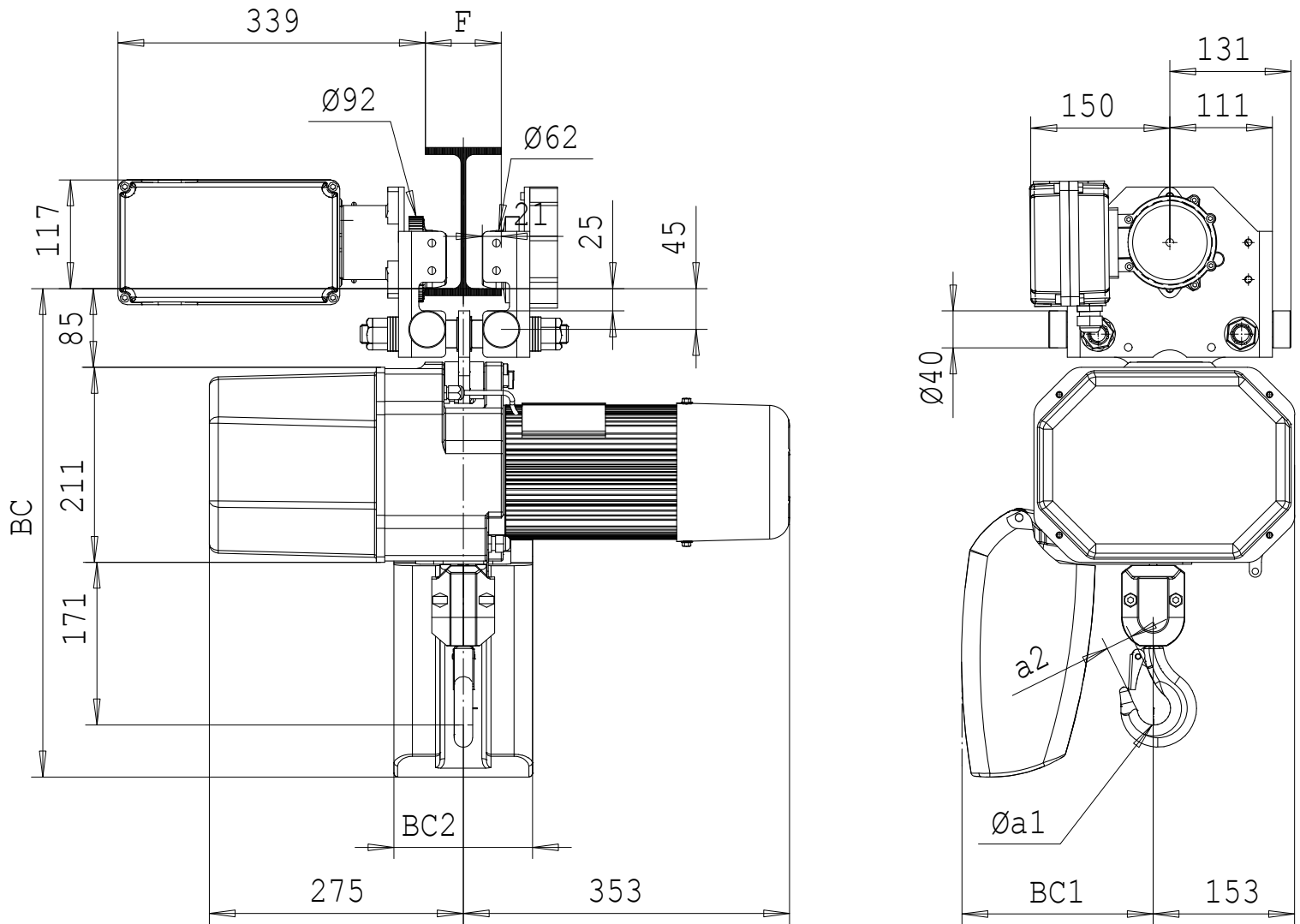


Mit Motorfahrwerk FNU ( Quer zur kettenzugachse )  
Fixed to electric trolley FNU ( Perpendicular version )  
Accouplé à chariot à direction électrique FNU ( Version perpend. )

1T



Chain bag Capacity	BC			BC1			BC2			Ø a1	a2	kg
	<3.5m	<7m	<10.5m	<3.5m	<7m	<10.5m	<3.5m	<7m	<10.5m			
1 / 1	529	573	603	198	201	207	150	180	240	36	24	

55 < F < 310