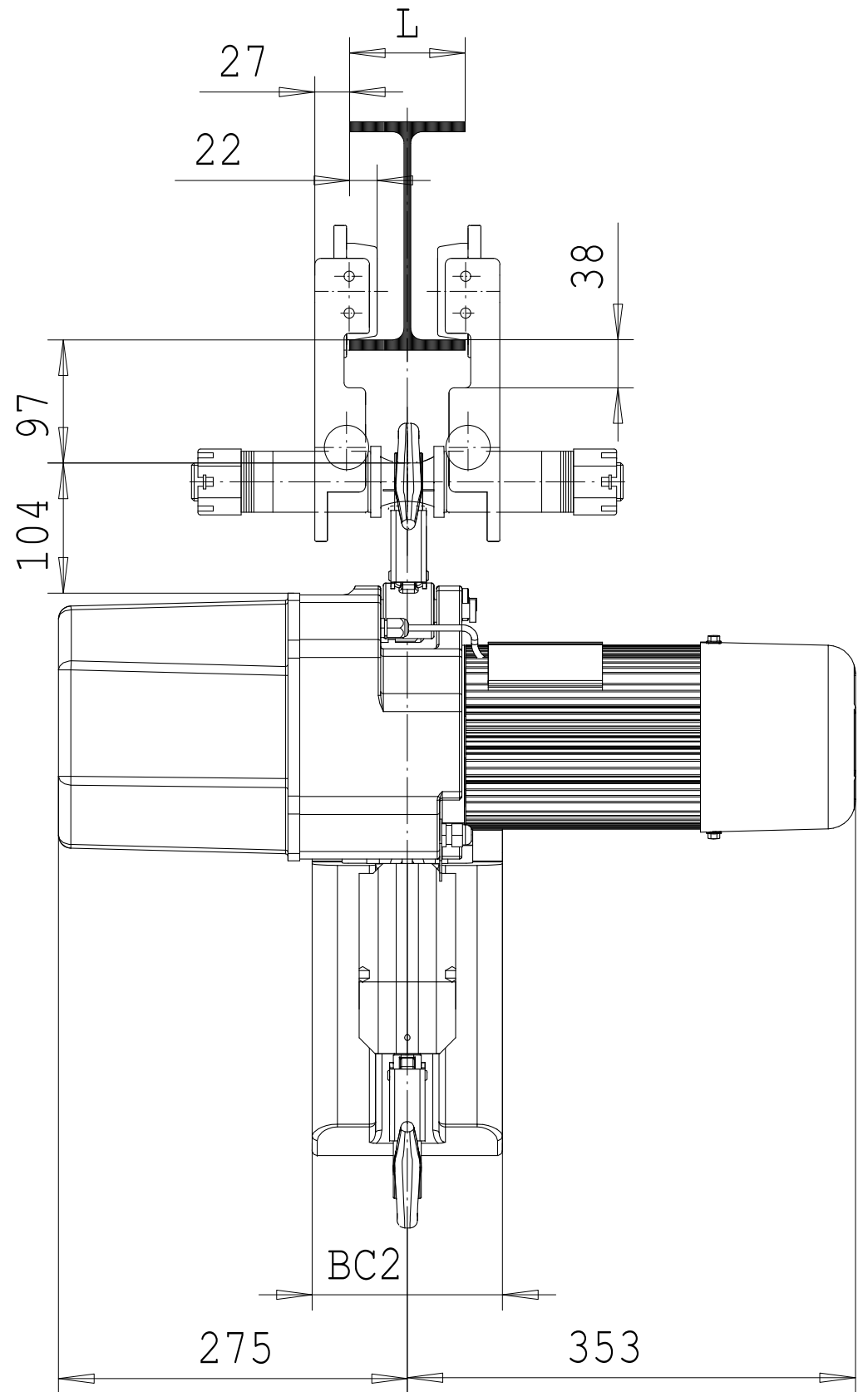
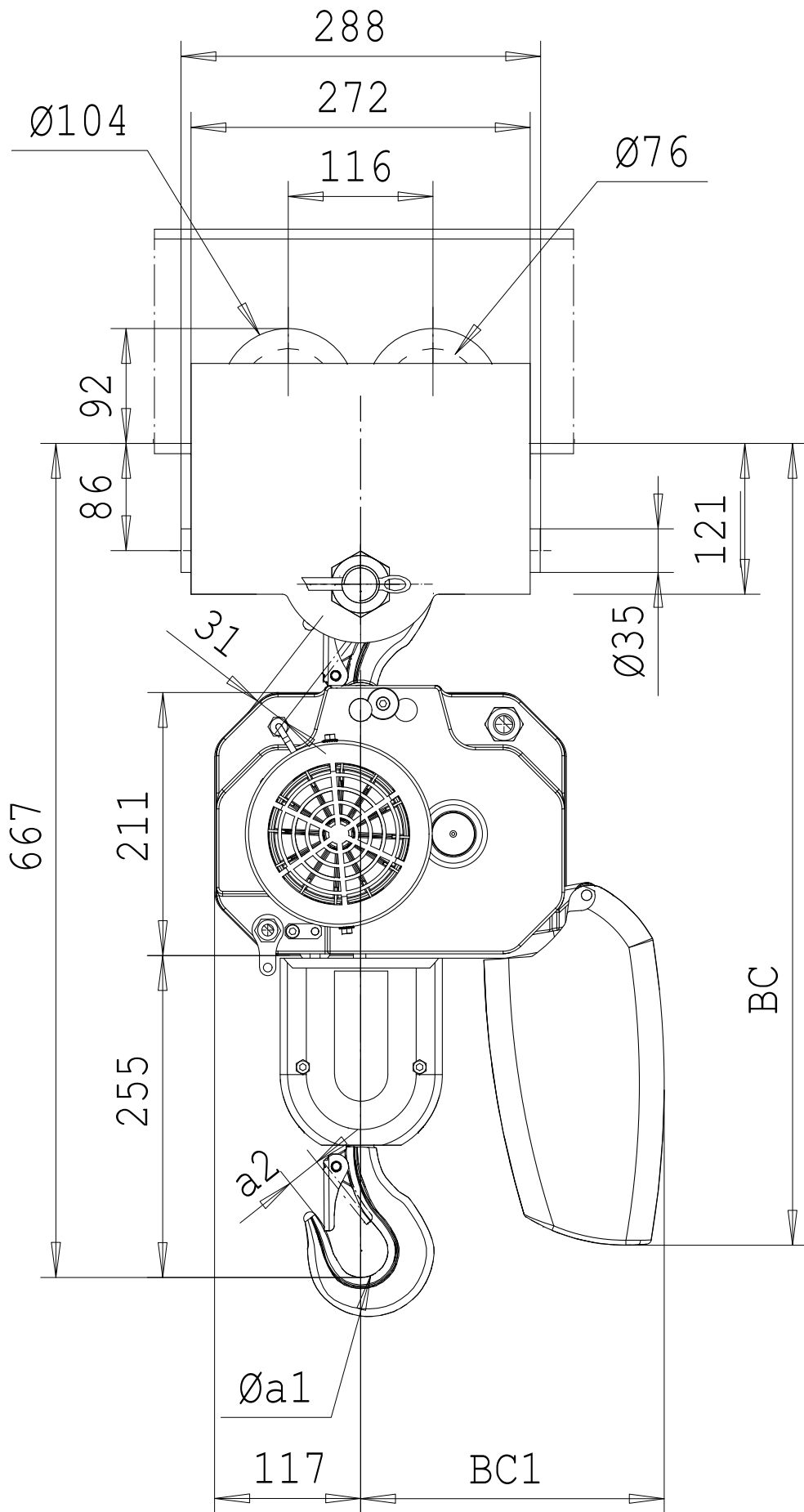


Mit schiebefahrwerk FND ( Quer zur kettenzugachse )  
 Hooked to FND manual trolley ( Perpendicular version )  
 Accroché à chariot manuel FND ( Version perpendiculaire )

## 2T



Chain bag Capacity	BC			BC1			BC2			Ø a1	a2	kg
	<3.5m	<7m	<10.5m	<3.5m	<7m	<10.5m	<3.5m	<7m	<10.5m			
2 / 1	645	688	718	234	237	243	150	180	240	43	31	

	A
65<L<200	340
200<L<310	448