

61 NORMAL HEADROOM HOIST ND, REEVING: 06, CURVED TRACK

Hoist dimensions

HOL m	Length code	M1 mm	H1 mm	H2 mm	H3 mm	H3* mm	Weight kg
6	D	558	556	53	605	625	1110
8	E	678	556	78	605	625	1155
10	F	828	596	98	605	625	1245
13	G	1018	596	132	605	625	1300

Motor dimensions

Motor	P5	P6	P7	A5	S5	S7
MOT (mm)	578	578	618	498	606	757
Weight (kg)	58	85	105	45	53	81

Travelling dimensions

Motor	MF06MA	MF06LA
TMO (mm)	360	400
Weight (kg)	5.7	7.8

Trolley dimensions

B min	B max	C	ØBU	ØWD	R min	BU	BUH	GEA	H4	M2	TD
120	300	1568	63	125	2500	288	40	143	612	33	871
TF	TH	TW									
39.5	170	41.5									

D007207_A
124579

Trolley dimensions

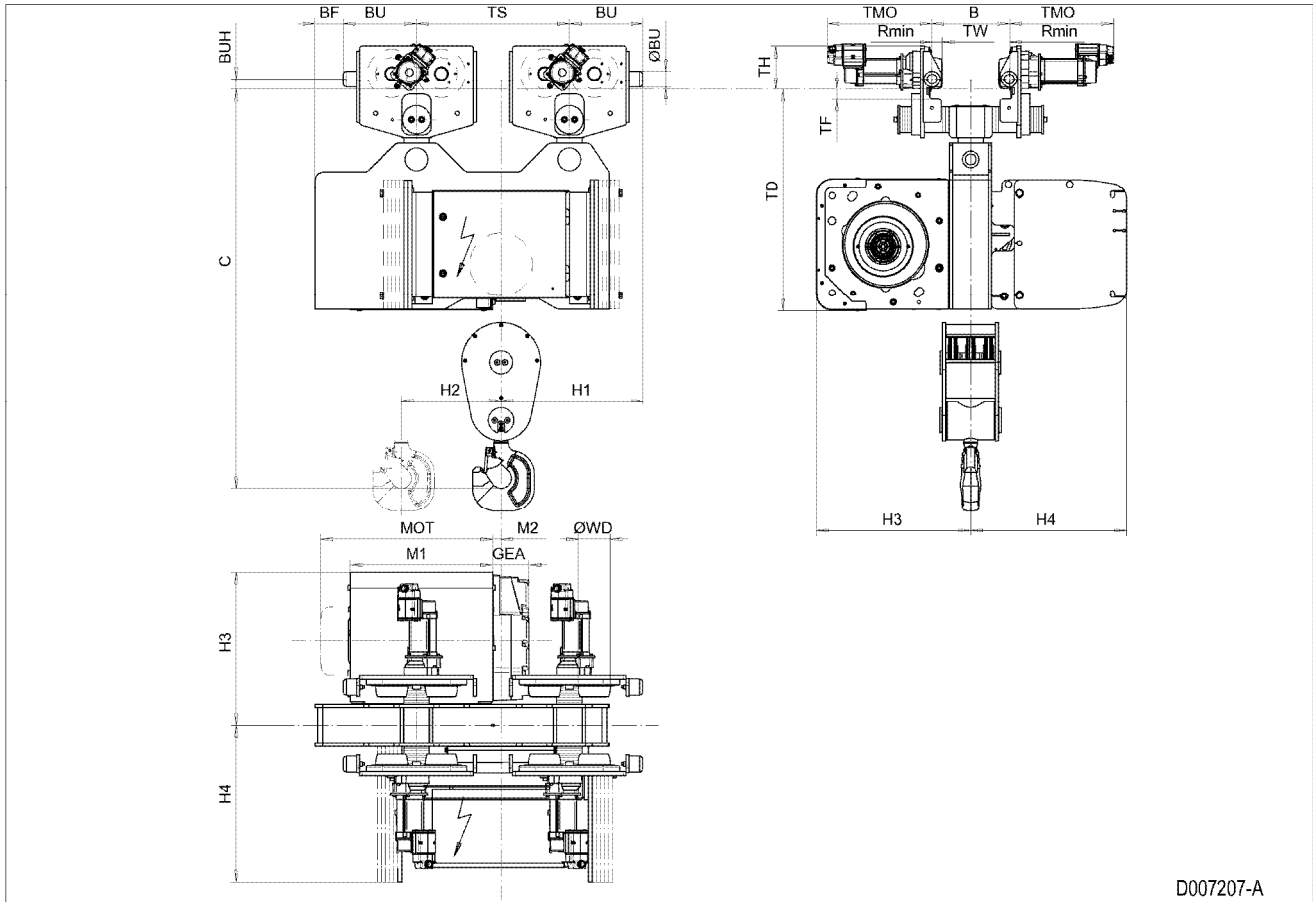
Length code	BF	TS
D/E	110	600
F/G	370	720

Note: All dimensions in mm.

Note: Weight calculated with P5 motor.

* Please, disregard the dimension H3*.

Normal Headroom Hoist ND, REEVING: 06, Curved Track



D007207-A