

24 DOUBLE GIRDER HOIST ND, REEVING: 2 X 06

Hoisting speed (m/min)

Load kg	Class Fem/ISO	F gear + P5/T5 motor		H gear + P6/T6 motor		J gear + P7/T7 motor	
		High	Low	High	Low	High	Low
12000	3m/M6	3,2	0,5	5	0,8	6,3	1,1
15000	2m/M5	3,2	0,5	5	0,8	6,3	1,1

Hoist dimensions

HOL m	Length code	M1 mm	M2 mm	H1 mm	Min R mm	Weight kg
4	E	817	217	705	1400	860
6	F	967	292	852	1700	870
8	G	1157	197	855	1700	930
11	H	1407	255	1033	2000	960
15	J	1757	280	1233	2400	1065

Motor dimensions

Motor	P5	P6	P7	T5	T6	T7
M3 (mm)	728	722	762	728	722	722
Weight (kg)	58	85	105	45	65	71

Trolley dimensions

C	D1 (Ø)	D2 (Ø)	D3 (Ø)	WB	WW min	WW max					
831	140	170	63	1000	50	85					
L1	L2	L3	L4	L5	L6	L7	L8	L9	L10	L11	L12
470	382	400	100	320	52	1326	510	423	103	460	540
L13	L14	L15	L16	L17	L18	L19	L20	L21			
623	703	128	163	103	900	163	255	18			

D002132_A
005032

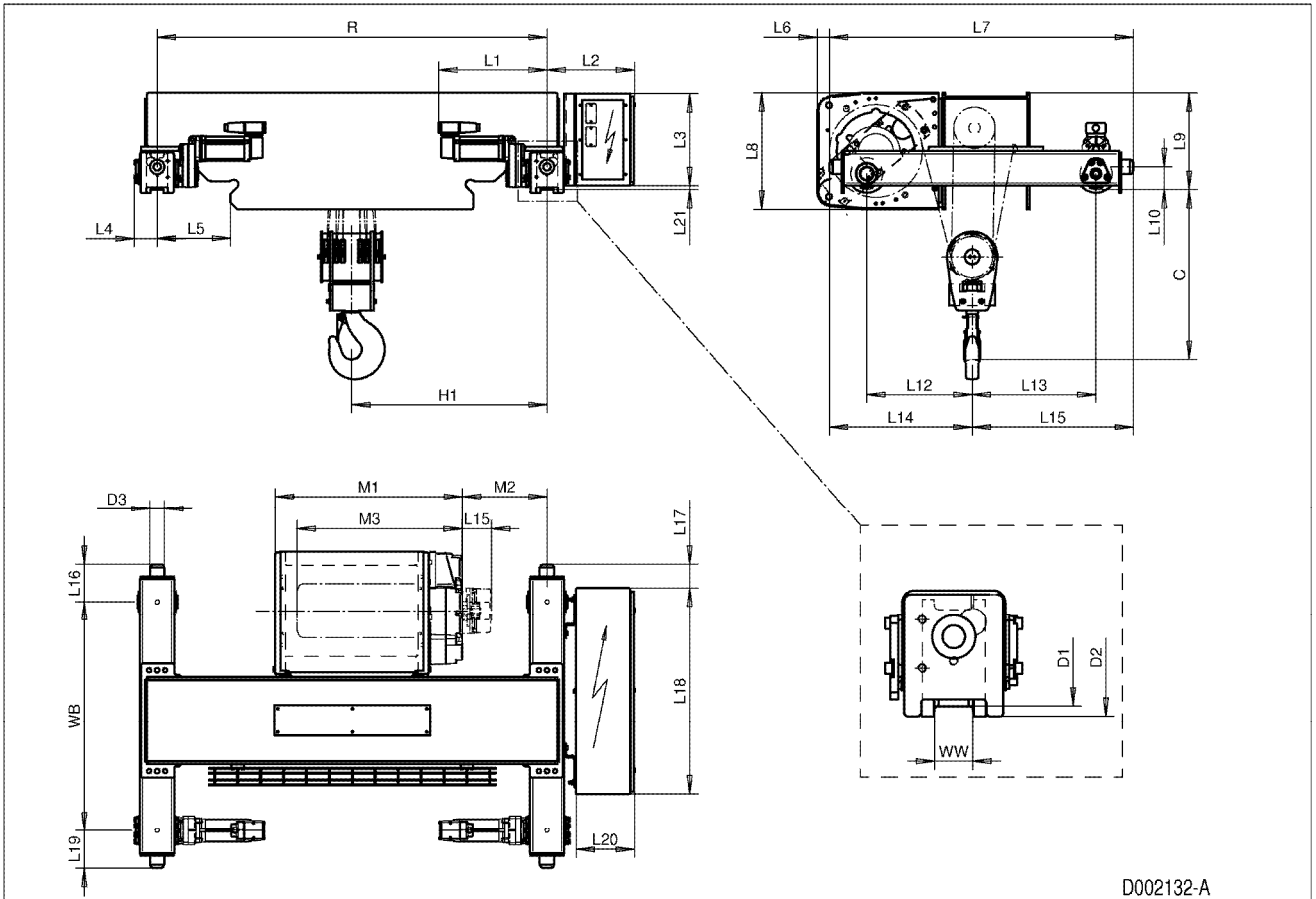
Note: Weight calculated with P5 motor.

Note: All dimensions in mm.

Note: Min R with service platform and second brake.

Note: Standard rail gauges: 1400, 1700, 2000 and 2400.

Note: Gear brake as standard brake for drum lengths H and J.



D002132-A