

17 DOUBLE GIRDER HOIST NC, REEVING: 08

Hoisting speed (m/min)

Load kg	Class Fem/ISO	F gear + P3/T3 motor		H gear + P4/T4 motor	
		High	Low	High	Low
8000	2m/M5	2,5	0,4	4	0,7
10000	1Am/M4	2,5	0,4	4	0,7

Hoist dimensions

HOL m	Length code	M1 mm	M2 mm	H1 mm	H2 mm	Min R mm	Weight mm
4,5	C	567	531	668	37	1400	655
6	D	667	681	818	49	1700	700
7,5	E	787	831	968	64	2000	740

Motor dimensions

Motor	P3	P4	T3	T4
M3 (mm)	597	690	507	610
Weight (kg)	35	53	22	45

Trolley dimensions

C	D1 (Ø)	D2 (Ø)	D3 (Ø)	WB	WW min	WW max					
742	110	140	63	1000	50	75					
L1	L2	L3	L4	L5	L6	L7	L8	L9	L10	L11	L12
430	339	250	22	98	295	1296	426	295	100	500	500
L13	L14	L15	L16	L17	L18	L19					
648	648	148	88	600	212	148					

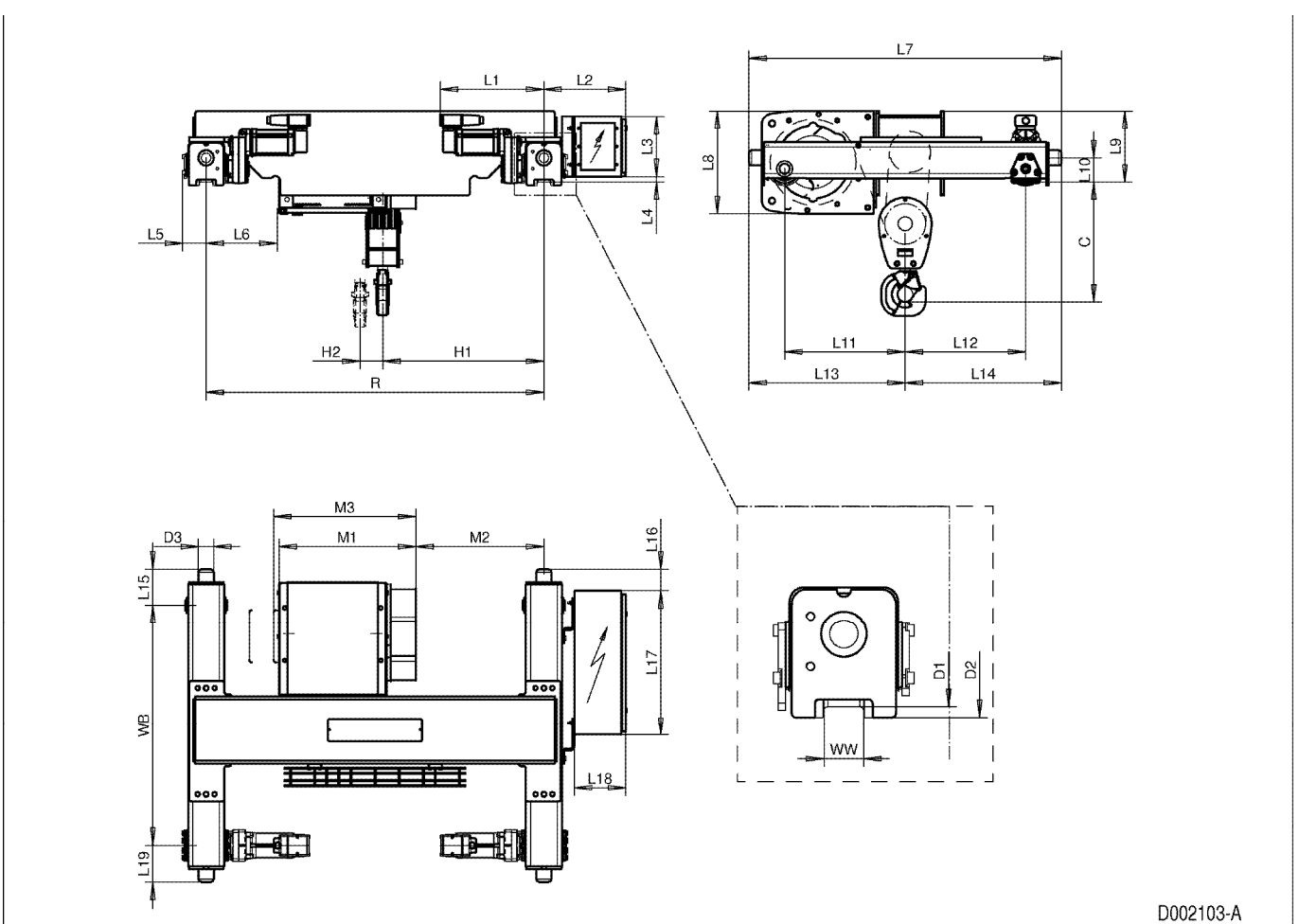
D002103_A
062183

Note: Weight calculated with P3 motor.

Note: All dimensions in mm.

Note: Min R with service platform and second brake.

Note Standard rail gauges: 1400, 1700 and 2000.



D002103-A