

## 14 DOUBLE GIRDER HOIST NC, REEVING: 02

### Hoisting speed (m/min)

Load kg	Class Fem/ISO	E gear + P3/T3 motor		F gear + P3/T3 motor		H gear + P4/T4 motor	
		High	Low	High	Low	High	Low
2000	3m/M6	8	1,3	10	1,7	16	2,7
2500	2m/M5	8	1,3	10	1,7	16	2,7
3200	1Am/M4	8	1,3	-	-	-	-

### Hoist dimensions

HOL m	Length code	M1 mm	M2 mm	H1 mm	H2 mm	Min R mm	Weight kg
12	B	467	252	459	95	1200	310
18	C	567	252	459	144	1200	320
24	D	667	352	559	193	1400	335
30	E	787	352	559	252	1400	350

### Motor dimensions

Motor	P3	P4	T3	T4
M3 (mm)	597	690	507	610
Weight ( kg)	35	53	22	45

### Trolley dimensions

C	D1 (Ø)	D2 (Ø)	D3 (Ø)	WB	WW						
L1	L2	L3	L4	L5	L6	L7	L8	L9	L10	L11	L12
360	90	120	63	900	65						
83	324	250	12	1176	427	301	90	427	473	565	611
L13	L14	L15	L16	L17							
138	103	600	138	212							

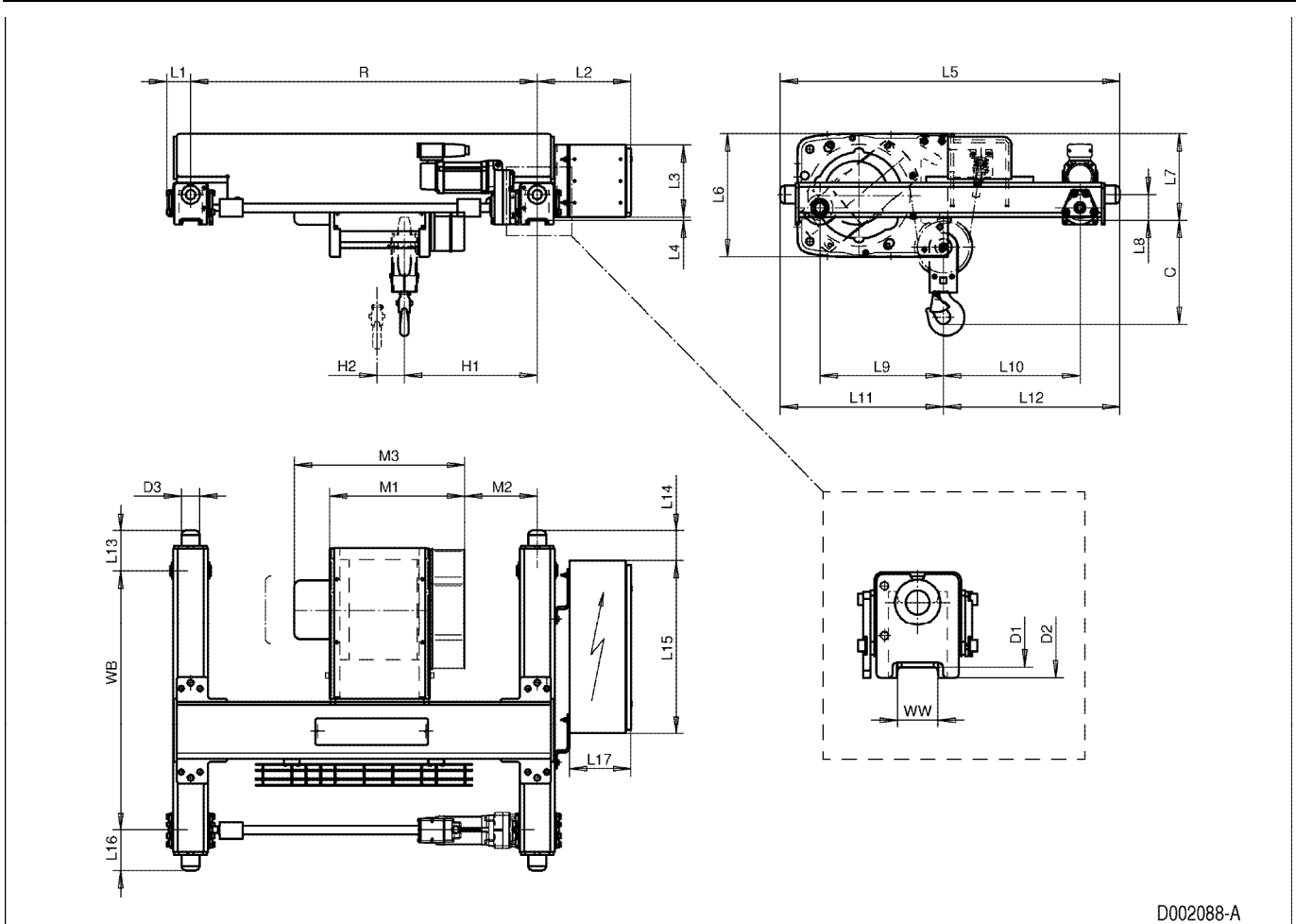
D002088\_A  
062138

Note: Weight calculated with P3 motor.

Note: All dimensions in mm.

Note: Min R with service platform and second brake.

Note: Standard rail gauges: 1200, 1400, 1700 and 2000.



D002088-A