

### 13 DOUBLE GIRDER HOIST NB, REEVING: 04

**Hoisting speed (m/min)**

Load kg	Class Fem/ISO	F gear + P1/T1 motor		F gear + P2/T2 motor		G gear + P2/T2 motor		H gear + P3/T3 motor	
		High	Low	High	Low	High	Low	High	Low
1600	3m/M6	5	0,8	5	0,8	6,3	1,1	8	1,3
2000	2m/M5	5	0,8	5	0,8	6,3	1,1	8	1,3
2500	3m/M6	-	-	5	0,8	6,3	1,1	8	1,3
3200	2m/M5	-	-	5	0,8	6,3	1,1	8	1,3

HOL m	Length code	M1 mm	H2 mm	Min R mm	Weight kg
6	A	431	45	1200	225
9,5	C	561	72	1200	235

Motor	P1	P2	P3	T1	T2	T3
M2 (mm)	498	558	588	498	498	498
Weight ( kg)	21	31	35	22	22	22

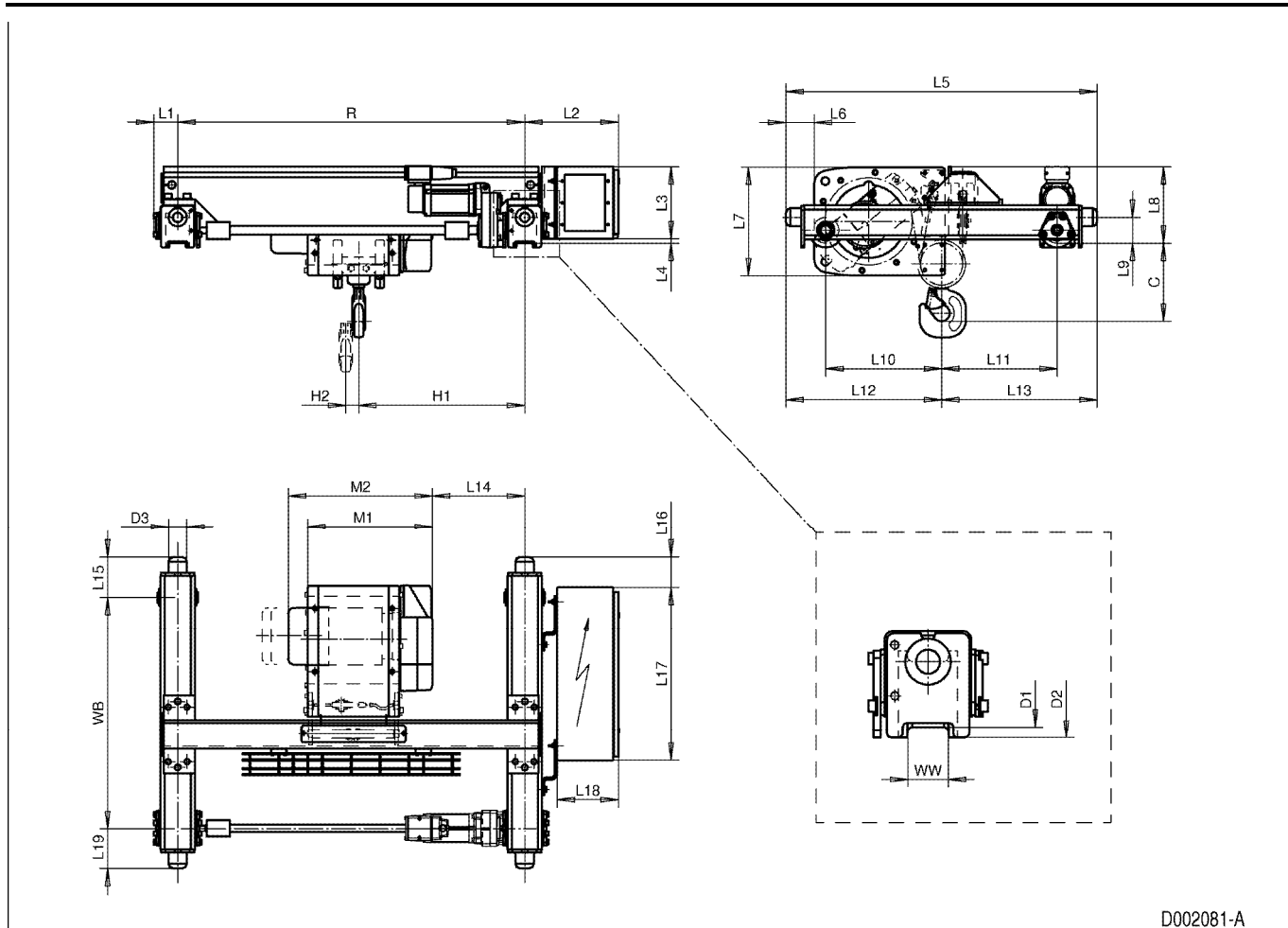
C	D1(Ø)	D2(Ø)	D3(Ø)	H1	WB	WW					
270	90	120	63	574	800	65					
L1	L2	L3	L4	L5	L6	L7	L8	L9	L10	L11	L12
83	324	250	15	1076	98	376	265	90	401	400	539
L13	L14	L15	L16	L17	L18	L19					
538	319	138	104	600	212	138					

D002081\_A  
062127

Note: Weight calculated with P1 motor.

Note: All dimensions in mm.

Note: Min R with second brake Standard rail gauges: 1200, 1400, 1700 and 2000.



D002081-A