

12 DOUBLE GIRDER HOIST NB, REEVING: 02

Hoisting speed (m/min)

Load kg	Class Fem/ISO	F gear + P1/T1 motor		F gear + P2/T2 motor		G gear + P2/T2 motor		H gear + P3/T3 motor	
		High	Low	High	Low	High	Low	High	Low
800	3m/M6	10	1,7	10	1,7	12,5	2,1	16	2,7
1000	2m/M5	10	1,7	10	1,7	12,5	2,1	16	2,7
1250	3m/M6	-	-	10	1,7	12,5	2,1	16	2,7
1600	2m/M5	-	-	10	1,7	12,5	2,1	16	2,7

Hoist dimensions

HOL m	Length code	M1 mm	H2 mm	Min R mm	Weight kg
12	A	431	90	1200	220
19	C	561	144	1200	230

Motor dimensions

Motor	P1	P2	P3	T1	T2	T3
M2 (mm)	498	558	588	498	498	498
Weight (kg)	21	31	35	22	22	22

Trolley dimensions

C	D1(Ø)	D2(Ø)	D3(Ø)	H1	WB	WW					
320	90	120	63	519	800	65					
L1	L2	L3	L4	L5	L6	L7	L8	L9	L10	L11	L12
83	324	250	15	1076	98	376	265	90	387	413	525
L13	L14	L15	L16	L17	L18	L19					
551	319	138	104	600	212	138					

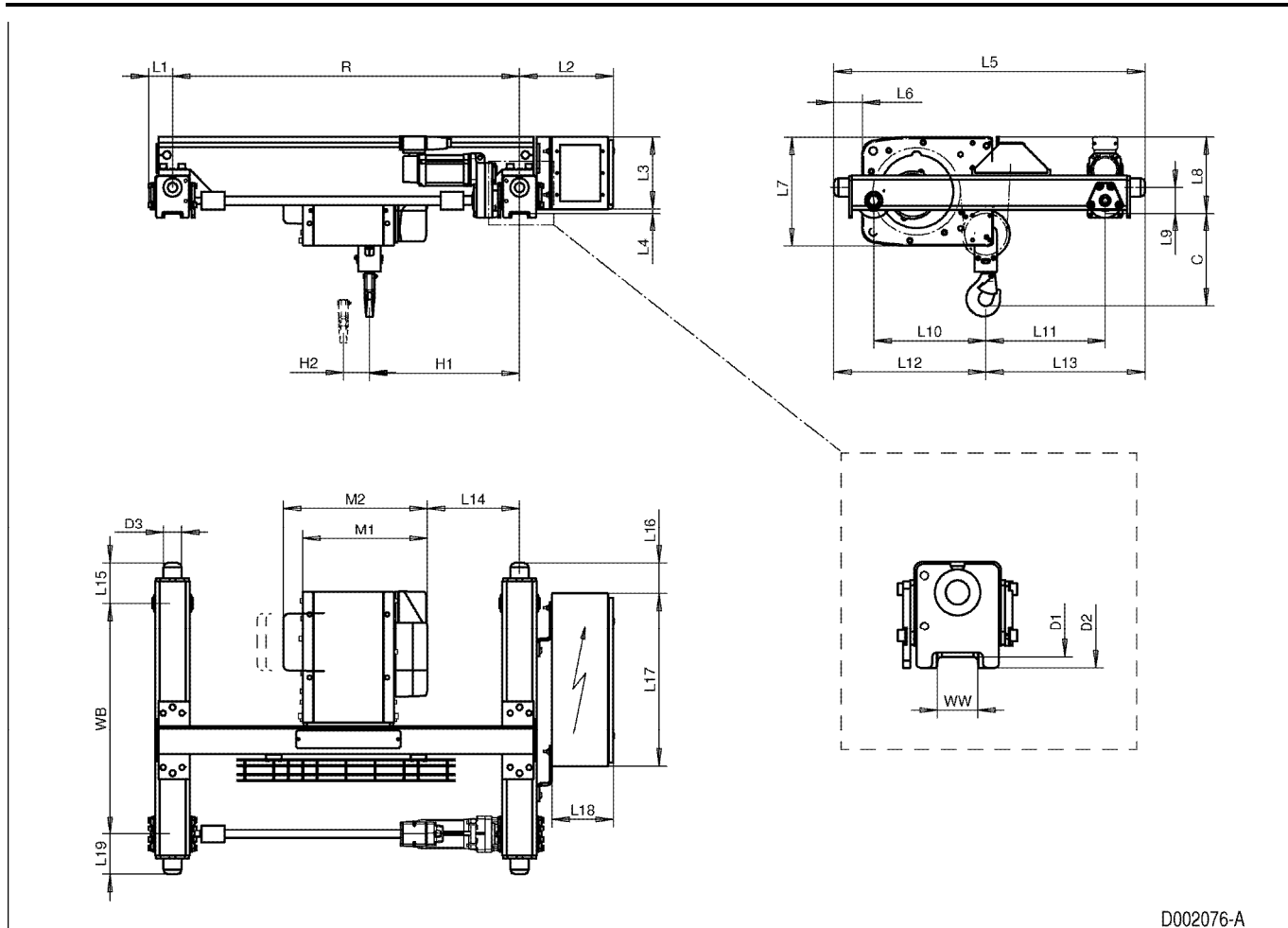
D002076_A
062126

Note: Weight calculated with P1 motor.

Note: All dimensions in mm.

Note: Min R with second brake.

Note: Standard rail gauges: 1200, 1400, 1700 and 2000



D002076-A