

84 FIXED HOIST ND, REEVING: 04

Hoist dimensions

| HOL m | Length code | M1 mm | M2 mm | H1 mm | H2 mm | H3 mm | H3* mm | R mm | Weight kg |
|----------|----------------|----------|----------|----------|----------|----------|-----------|---------|--------------|
| 9 | D | 558 | 196 | 434 | 88 | 645 | 665 | 830 | 445 |
| 12 | E | 678 | 76 | 314 | 118 | 645 | 665 | 830 | 460 |
| 16 | F | 828 | 76 | 314 | 156 | 645 | 665 | 1170 | 480 |
| 20 | G | 1018 | 76 | 314 | 204 | 645 | 665 | 1170 | 500 |

Motor dimensions

| Motor | P5 | P6 | P7 | A5 | S5 | S7 |
|-------------|-----|-----|-----|-----|-----|-----|
| MOT (mm) | 578 | 578 | 618 | 498 | 606 | 757 |
| Weight (kg) | 58 | 85 | 105 | 45 | 53 | 81 |

Trolley dimensions

| C1 | C2 | ØF | E3 | F1 | F3 | GEA | H4 | RO | TH | | |
|-----|-----|----|----|-----|-----|-----|-----|----|-----|--|--|
| 310 | 367 | 18 | 80 | 168 | 175 | 143 | 516 | 25 | 537 | | |

D002116_A
062190

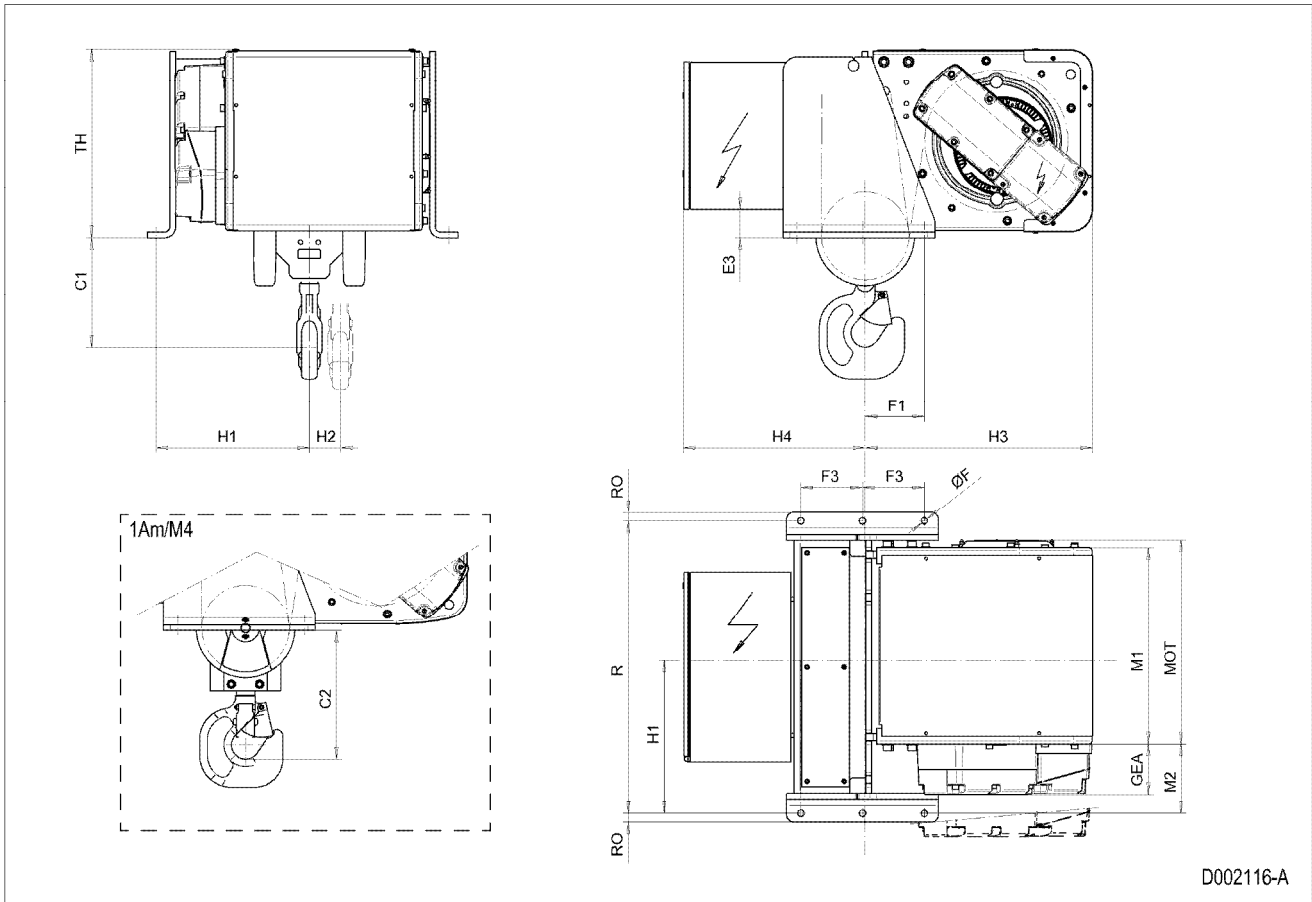
Note: All dimensions in mm.

Note: Weight calculated with P5 motor.

Note: Motor S7 is unavailable for load class 12500 kg.

* Please, disregard the dimension H3*.

Fixed Hoist ND, REEVING: 04



D002116-A