

82 FIXED HOIST NC, REEVING: 04

Hoist dimensions

HOL m	Length code	M1 mm	M2 mm	H1 mm	H2 mm	H3 mm	H3* mm	R mm	Weight kg
6	B	356	153	320	49	551	567	560	200
9	C	456	53	220	73	551	567	560	210
12	D	556	53	220	97	551	567	780	220
15	E	676	53	220	127	551	567	780	230

Motor dimensions

Motor	P3	P4	A3	S3	S5
MOT (mm)	473	574	443	523	602
Weight (kg)	35	53	32	28	53

Trolley dimensions

C1	C2	ØF	E3	F1	F3	GEA	H4	RO	TH		
215	232	18	148	65	120	116	436	20	444		

D002091_A
062135

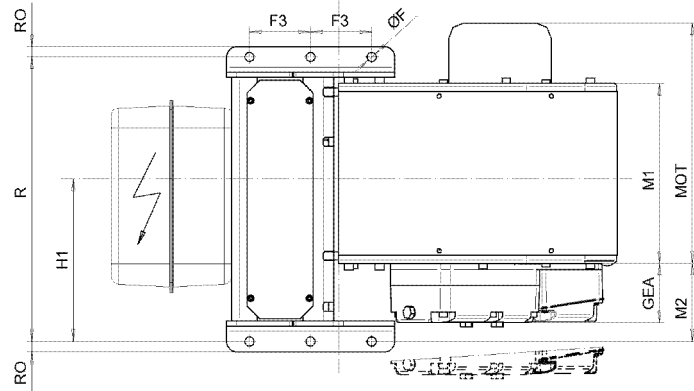
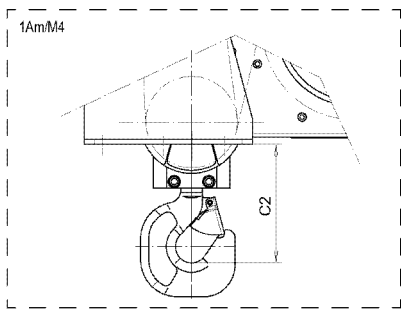
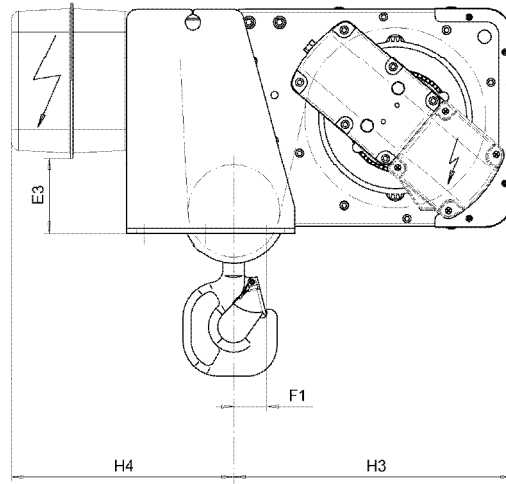
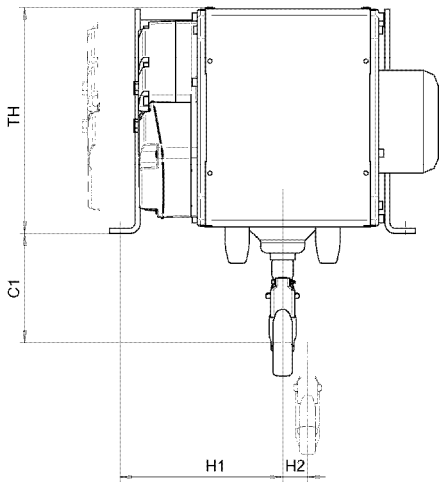
Note: All dimensions in mm.

Note: Weight calculated with P3 motor.

Note: Motor S5 is unavailable for load class 6300 kg.

* Please, disregard the dimension H3*.

Fixed Hoist NC, REEVING: 04



D002091-A