

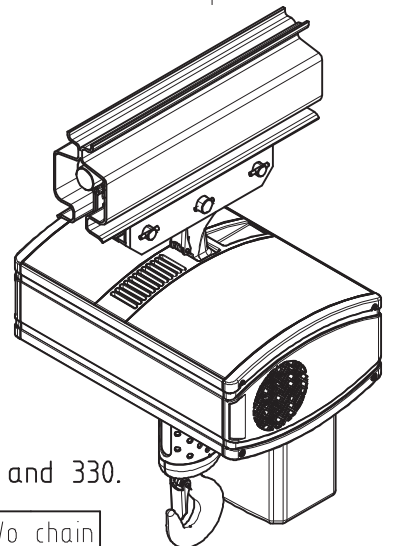
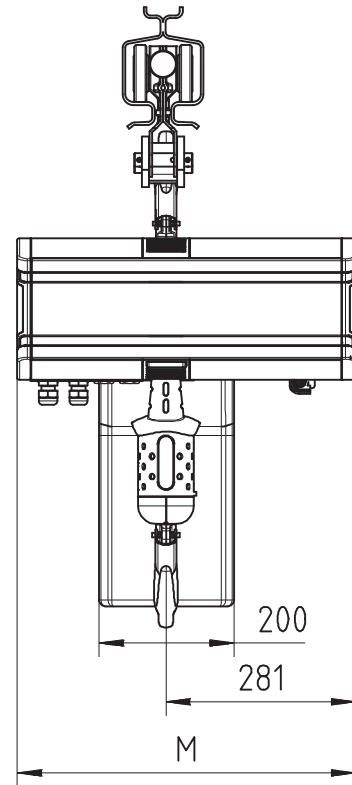
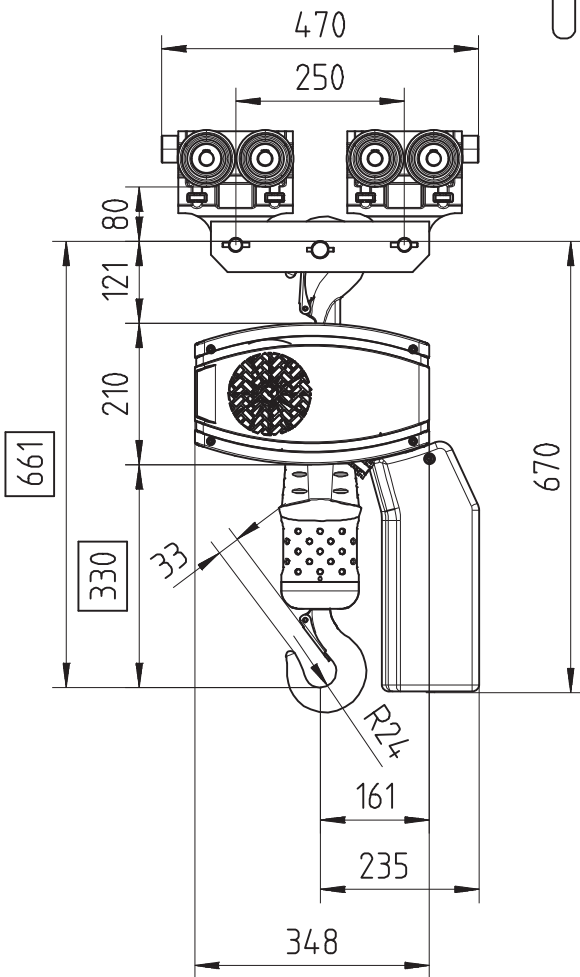
CC

MAGBLÄTTER  
DIMENSIONS  
ENCOMBREMENTS



Mit Schiebefahrwerk PM SYSTEM - 2 stränge (Quer zur Kettenzugachse)  
Hooked to manual push trolley with PM SYETEM - 2 falls (perpendicular version)  
Accouplé à chariot manuel PM SYSTEM - 2 brins (version perpendiculaire)

UKA30 - UKA40  
MAX 2000Kg



Note: For hoisting speed 16m/min and higher, add 63 mm to Dimension 661 and 330.

| Chain Size in mm  | Max load kg | Chain bag capacity | Weight of 3m chain | Total weight w/o chain |      |      |      |
|-------------------|-------------|--------------------|--------------------|------------------------|------|------|------|
|                   |             |                    |                    | Classic                | GT   | GLS  | DB   |
| 7X20              | 2000        | 10m                | 3.36               | 71.2                   | 75.3 | 74.4 | 72.5 |
| Dimension M in mm |             |                    |                    | 501                    | 615  | 590  | 539  |

GLS: Gear Limit Switch  
DB : Double Brake

SWF reserves the right to alter or amend the above information without notice.  
SWF behält sich das Recht auf Veränderung oder Richtigstellung der oben genannten Information ohne weitere Mitteilung vor  
SWF se réserve le droit de modifier sans préavis les caractéristiques de son matériel.  
DISCLOSED WITHOUT PRIOR WRITTEN CONSENT OF THE COMPANY . ANY COPIES OF THIS DOCUMENT MADE BY ANY METHOD MUST ALSO INCLUDE A COPY OF THIS LEGEND.

53109245  
D167176-A  
05/11/2012