

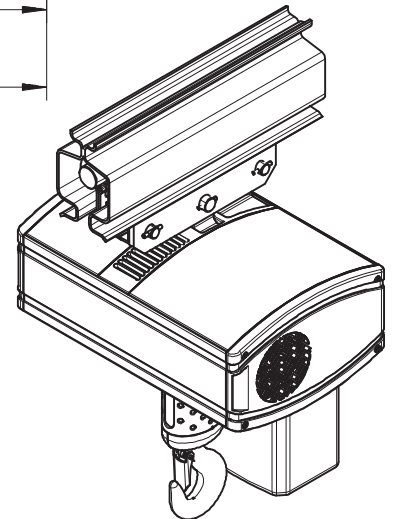
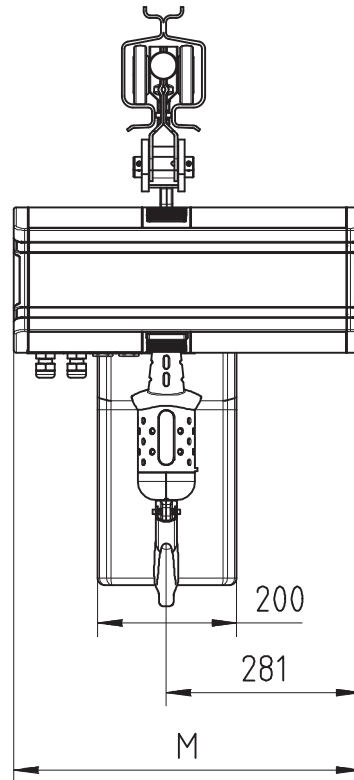
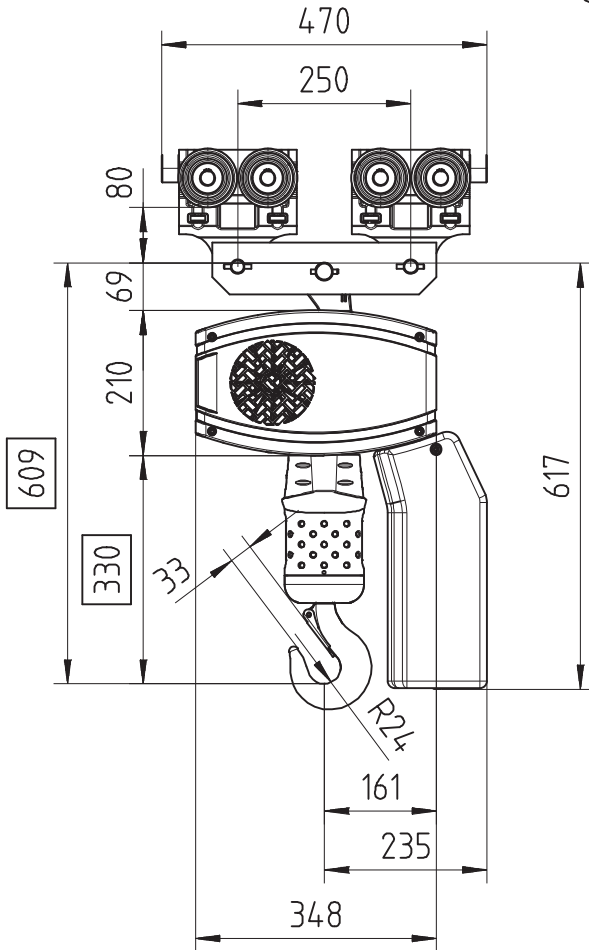
CC

MÄßBLÄTTER
DIMENSIONS
ENCOMBREMENTS



Ösenaufhängung mit PM SYSTEM Schiebefahrwerk - 2 stränge (Quer zur Kettenzugachse)
Fixed to manual push trolley with PM SYSTEM - 2 falls (perpendicular version)
Accouplé à chariot manuel PM SYSTEM - 2 brins (version perpendiculaire)

UKA30 - UKA40
MAX 2000Kg



Note: For hoisting speed 16m/min and higher, add 63 mm to Dimension 609 and 330.

| Chain Size in mm | Max load kg | Chain bag capacity | Weight of 3m chain | Total weight w/o chain | | | |
|-------------------|-------------|--------------------|--------------------|------------------------|------|------|------|
| | | | | Classic | GT | GLS | DB |
| 7X20 | 2000 | 10m | 3.36 | 70.0 | 74.1 | 73.1 | 71.2 |
| Dimension M in mm | | | | 501 | 615 | 590 | 539 |

GLS: Gear Limit Switch
DB : Double Brake

SWF behält sich das Recht auf Veränderung oder Richtigstellung der oben genannten Information ohne weitere Mitteilung vor.
SWF reserves the right to alter or amend the above information without notice.
SWF se réserve le droit de modifier sans préavis les caractéristiques de son matériel.
DISCLOSED WITHOUT PRIOR WRITTEN CONSENT OF THE COMPANY . ANY COPIES OF THIS DOCUMENT MADE BY ANY METHOD MUST ALSO INCLUDE A COPY OF THIS LEGEND

53113372
D167182-A
05/11/2012