

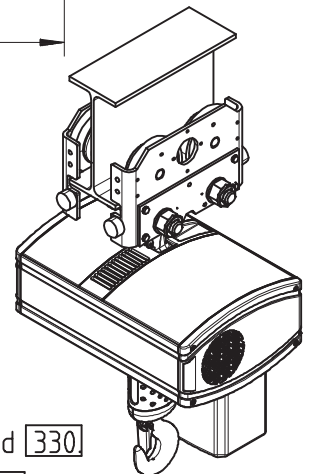
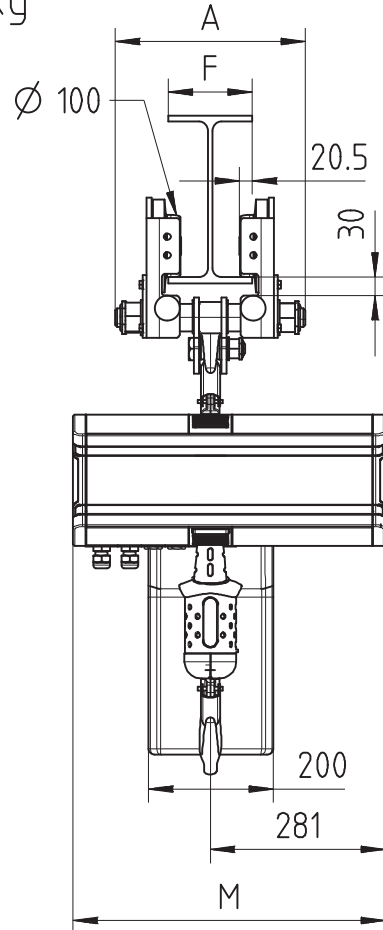
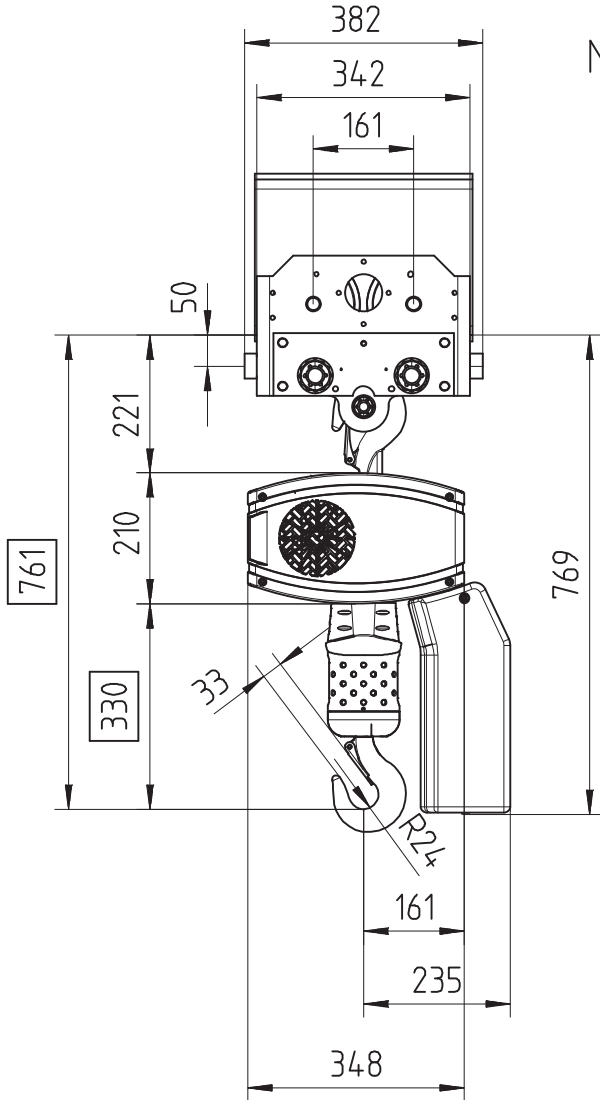
CC

MABLAETTER
DIMENSIONS
ENCOMBREMENTS



Mit Schiebefahrwerk FND 3000Kg - 2 strange (Quer zur Kettzugachse)
Hooked to FND 3000Kg - 2 falls (perpendicular version)
Accroché à chariot manuel FND 3000Kg - 2 brins (version perpendiculaire)

MAX 2500Kg



BEAM WIDTH	A
100 < F < 202	362
188 < F < 310	470

Note: a) Mini. radius of curve for trolley 3000 Kg is 2m.

b) For hoisting speed 16m/min and higher, add 63 mm to Dimension **761** and **330**

Chain Size in mm	Max load kg	Chain bag capacity	Weight of 3m chain	Total weight w/o chain			
				Classic	GT	GLS	DB
7X20	2500	10m	3.36	96.2	100.3	99.3	97.4
Dimension M in mm				501	615	590	539

GLS: Gear Limit Switch
DB : Double Brake

SWF behält sich das Recht auf Veränderung oder Richtigstellung der oben genannten Information ohne weitere Mitteilung vor.
SWF reserves the right to alter or amend the above information without notice.
SWF se réserve le droit de modifier sans préavis les caractéristiques de son matériel.
DISCLOSED WITHOUT PRIOR WRITTEN CONSENT OF THE COMPANY ANY COPIES OF THIS DOCUMENT MADE BY ANY METHOD MUST ALSO INCLUDE A COPY OF THIS LEGEND.

53067510
D167566-A
06/11/2012