

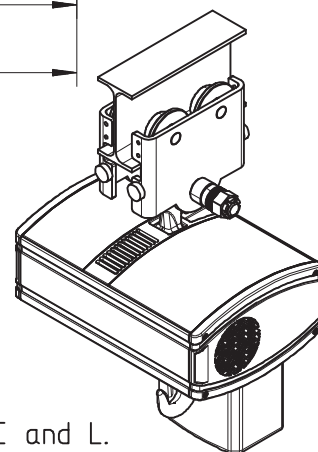
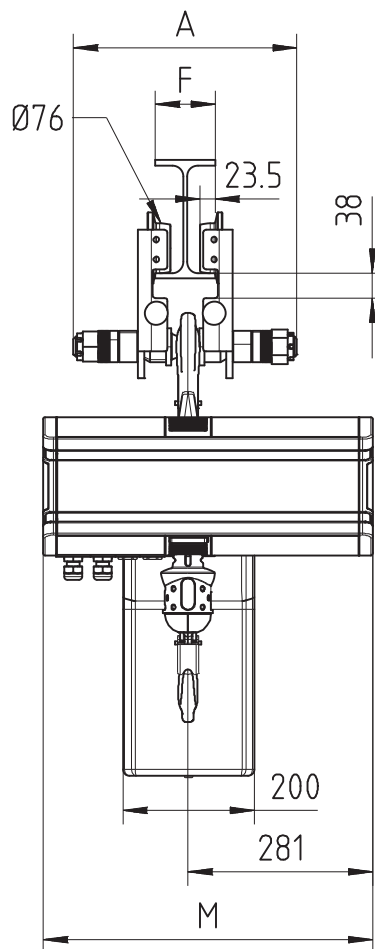
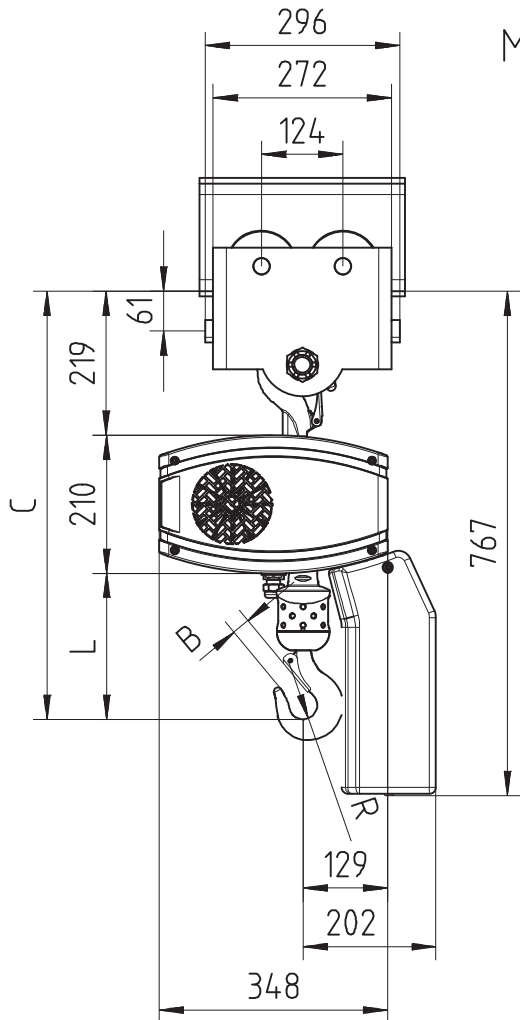
CC

MABBLAETTER  
DIMENSIONS  
ENCOMBREMENTS



Mit Schiebefahrwerk FND 2000Kg (Quer zur Kettenzugachse)  
Hooked to FND 2000Kg (perpendicular version)  
Accroché à chariot manuel FND 2000Kg (version perpendiculaire)

MAX 1250Kg



BEAM WIDTH	A
88 < F < 200	340
188 < F < 310	448

Note: a) Mini. radius of curve for trolley 2000 Kg is 2m.  
b) For hoisting speed 16m/min and higher, add 63 mm to Dimension C and L.

Chain Size in mm	Max load kg	Chain bag capacity	Dimensions in mm				Weight of 3m chain	Total weight w/o chain			
			B	C	L	R		Classic	GT	GLS	DB
5x14	630	12m	21	600	171	17	1.78	70.4	75.9	74.8	73.1
7X20	1250	10m	28	652	223	21	3.36				
Dimension M in mm								501	615	590	539

GLS: Gear Limit Switch  
DB : Double Brake

SWF behält sich das Recht auf Veränderung oder Richtigstellung der oben genannten Information ohne weitere Mitteilung vor.  
SWF reserves the right to alter or amend the above information without notice.  
SWF se réserve le droit de modifier sans préavis les caractéristiques de son matériel.  
DISCLOSED WITHOUT PRIOR WRITTEN CONSENT OF THE COMPANY . ANY COPIES OF THIS DOCUMENT MADE BY ANY METHOD MUST ALSO INCLUDE A COPY OF THIS LEGEND.

53109076  
D167011-A  
22/10/2011