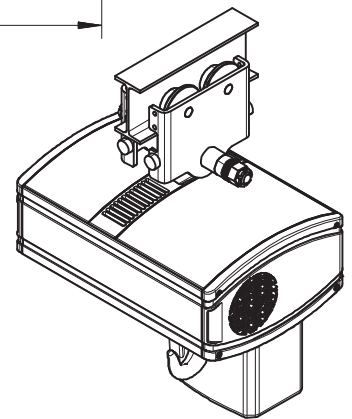
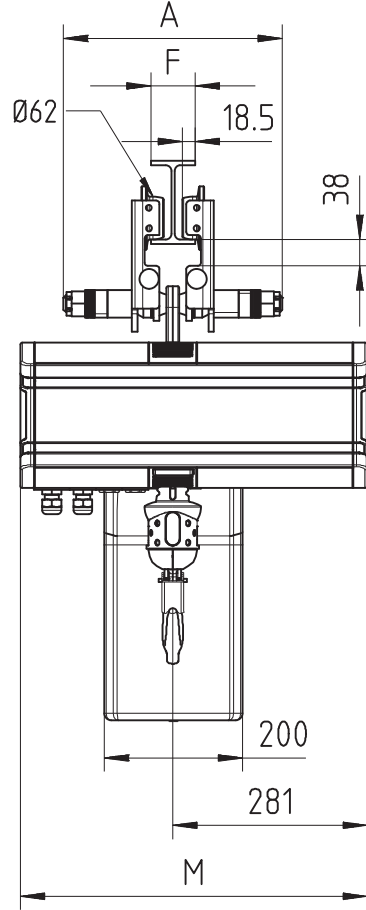
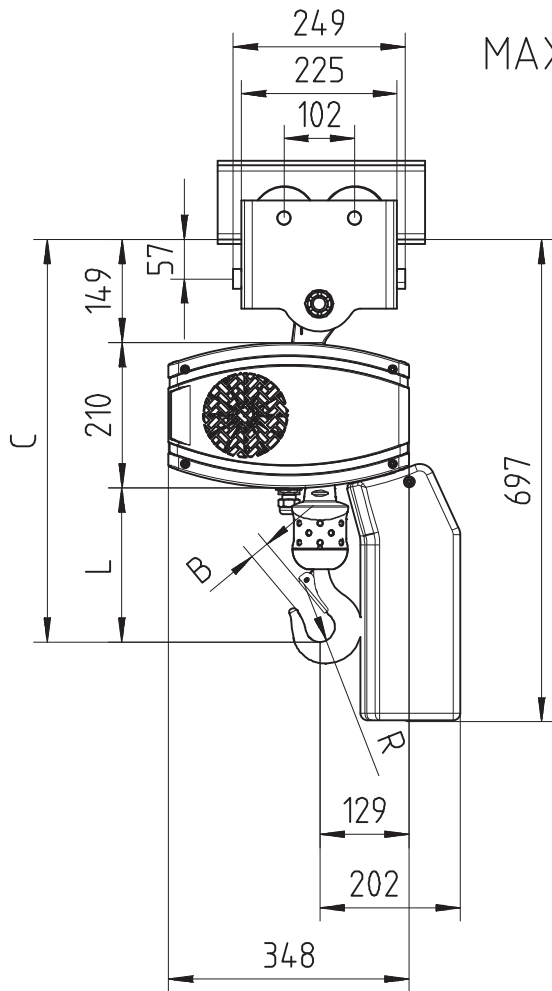


CC

MABBLAETTER
DIMENSIONS
ENCOMBREMENTS



Ösenaufhängung mit Schiebefahrwerk FND 1000Kg (Quer zur Kettenzugachse)
Fixed to push trolley FND 1000Kg (perpendicular version)
Accouplé à chariot manuel FND 1000Kg (version perpendiculaire)



BEAM WIDTH	A
65 < F < 200	322
200 < F < 310	430

Note: a) Mini. radius of curve for trolley 1000 Kg is 1.5m.
b) For hoisting speed 16m/min and higher, add 63 mm to Dimension C and L.

Chain Size in mm	Max load kg	Chain bag capacity	Dimensions in mm				Weight of 3m chain	Total weight w/o chain			
			B	C	L	R		Classic	GT	GLS	DB
5x14	630	12m	21	530	171	17	1.78	65.1	70.6	69.6	67.8
7X20	1000	10m	28	582	223	21	3.36				
Dimension M in mm								501	615	590	539

GLS: Gear Limit Switch
DB : Double Brake

SWF behält sich das Recht auf Veränderung oder Richtigstellung der oben genannten Information ohne weitere Mitteilung vor.
SWF reserves the right to alter or amend the above information without notice.
SWF se réserve le droit de modifier sans préavis les caractéristiques de son matériel.
DISCLOSED WITHOUT PRIOR WRITTEN CONSENT OF THE COMPANY ANY COPIES OF THIS DOCUMENT MADE BY ANY METHOD MUST ALSO INCLUDE A COPY OF THIS LEGEND

53113324
D166950-A
19/10/2012