

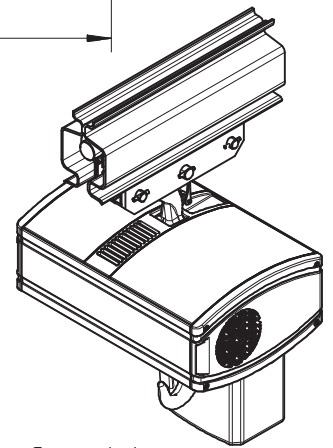
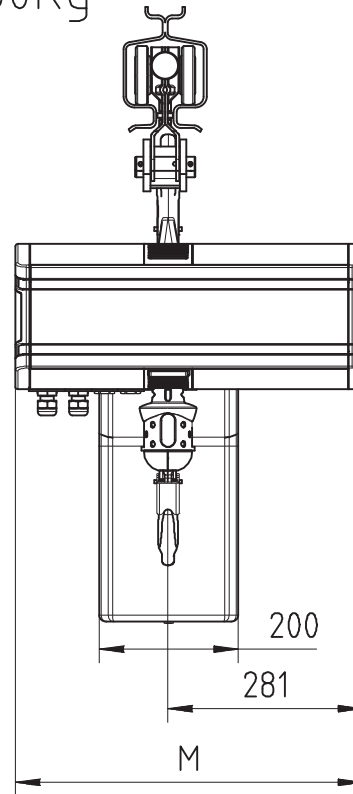
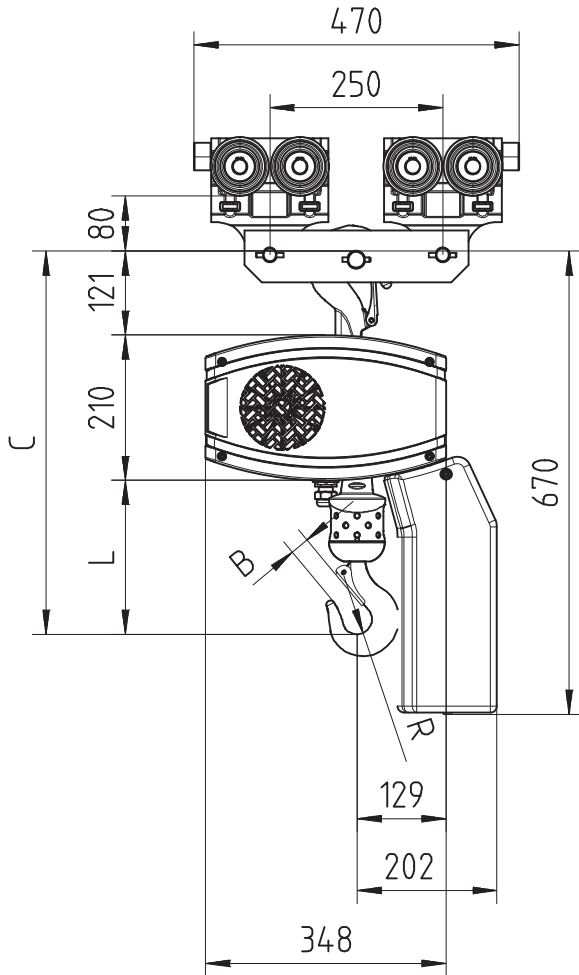
CC

MABBLAETTER  
DIMENSIONS  
ENCOMBREMENTS



Mit PM SYSTEM Schiebefahrwerk (Quer zur Kettenzugachse)  
Hooked to manual push trolley with PM SYSTEM (perpendicular version)  
Accouplé à chariot manuel PM SYSTEM (version perpendiculaire)

UKA30 - UKA40  
MAX 1250Kg



Note: For hoisting speed 16m/min and higher, add 63 mm to Dimension C and L.

Chain Size in mm	Max load kg	Chain bag capacity	Dimensions in mm				Weight of 3m chain	Total weight w/o chain			
			B	C	L	R		Classic	GT	GLS	DB
5x14	630	12m	21	502	171	17	1.78	66.4	72.0	70.9	69.1
7X20	1250	10m	28	554	223	21	3.36				
Dimension M in mm								501	615	590	531

GLS: Gear Limit Switch  
DB : Double Brake

SWF behält sich das Recht auf Veränderung oder Richtigstellung der oben genannten Information ohne weitere Mitteilung vor.  
SWF reserves the right to alter or amend the above information without notice.  
SWF se réserve le droit de modifier sans préavis les caractéristiques de son matériel.  
DISCLOSED WITHOUT PRIOR WRITTEN CONSENT OF THE COMPANY . ANY COPIES OF THIS DOCUMENT MADE BY ANY METHOD MUST ALSO INCLUDE A COPY OF THIS LEGEND.

53109225  
D167020-A  
22/10/2012