

CC1

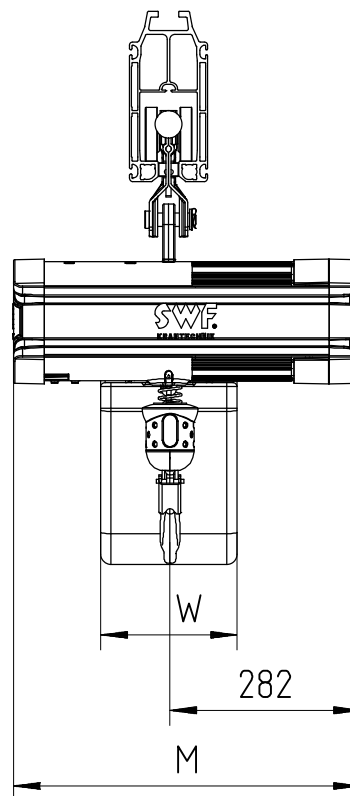
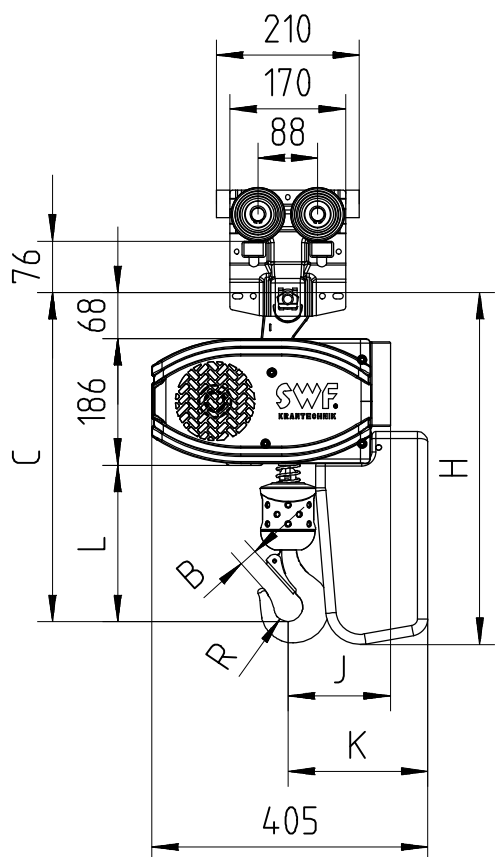
MABLAETTER  
DIMENSIONS  
ENCOMBREMENTS

**SWF**  
KRANTECHNIK

Ösenaufhängung mit LIGHTster Schiebefahrwerk AL14T100 max 1250Kg  
(Quer zur Kettenzugachse)

Fixed to manual push trolley with LIGHTster AL14T100 max 1250Kg  
(perpendicular version)

Accouplé à chariot manuel LIGHTster max AL14T100 1250Kg (version perpendiculaire)



Hinweis: Bei zweisträngigem Kettenzug wird die Ösenaufhängung um 180° gedreht.  
Note: In case of 2-fall hoist, eye suspension is rotated by 180°.  
Remarque: Avec un 2 brins, rotation de 180° de la suspension par oeillet.

| Chain Size (mm) | Max load (kg) | Falls | Chain bag capacity (m) | Dimensions (mm) |     |     |    |          |     |     |     | Weight (kg) |            |                      |   |    |     |    |
|-----------------|---------------|-------|------------------------|-----------------|-----|-----|----|----------|-----|-----|-----|-------------|------------|----------------------|---|----|-----|----|
|                 |               |       |                        | B               | C   | L   | R  | J        | K   | H   | W   | M           |            | Weight of chain kg/m | Estimated weight of hoist incl. trolley w/o chain |    |     |    |
|                 |               |       |                        |                 |     |     |    |          |     |     |     | CHAINster   | GT/DB/ GLS |                      | CHAINster   | GT | GLS | DB |
| 7X20            | 1250          | 1     | 6                      | 27              | 484 | 230 | 21 | 150      | 205 | 517 | 200 | 510         | 641        | 1.1                  | 58  | 61 | 60  | 61 |
|                 |               |       | 16                     |                 |     |     |    |          |     | 658 |     |             |            |                      |   |    |     |    |
|                 |               |       | 30                     |                 |     |     |    |          |     | 728 |     |             |            |                      |   |    |     |    |
|                 | 1250          | 2     | 6 (*)                  | 33              | 554 | 300 | 24 | 154 (**) | 236 | 517 | 200 | 510         | 641        | 1.1                  | 53  | 57 | 56  | 57 |
|                 |               |       | 16 (*)                 |                 |     |     |    |          |     | 658 |     |             |            |                      |   |    |     |    |
|                 |               |       | 30 (*)                 |                 |     |     |    |          |     | 728 |     |             |            |                      |   |    |     |    |

GLS: Getriebeendechalter / Gear Limit Switch / Fin De Course à Cames  
DB : Zusätzliche Bremse / Double Brake / Double Freins

(\*) In case of 2-fall hoist, available lifting height is half of the chain bag maximum capacity  
(\*\*) In case of 2-falls hoist, Counter weight is not needed

SWF behält sich das Recht auf Veränderung oder Richtigstellung der oben genannten Information ohne weitere Mitteilung vor.

SWF reserves the right to alter or amend the above information without notice.

SWF se réserve le droit de modifier sans préavis les caractéristiques de son matériel.

DISCLOSED WITHOUT PRIOR WRITTEN CONSENT OF THE COMPANY. ANY COPIES OF THIS DOCUMENT MADE BY ANY METHOD MUST ALSO INCLUDE A COPY OF THIS LEGEND.

53564319  
53564319-DRW1  
28/04/2016