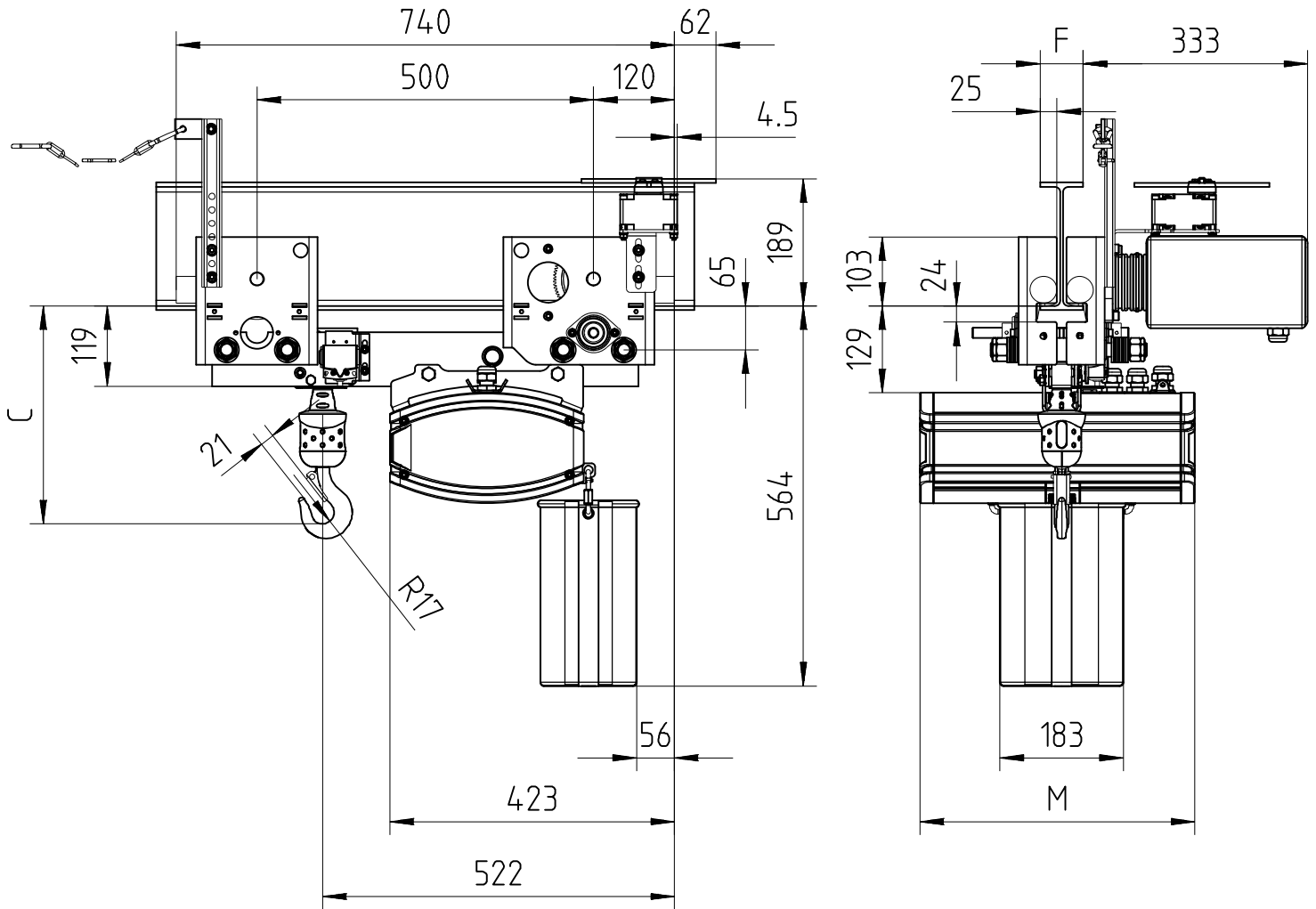


Mit Motorfahrwerk LHT630 - 1 strange (Kurze Bauhöhe - Kurzer Radstand)
With electric travel trolley LHT630 - 1 fall (short headroom - short overreach)
Chariot électrique LHT630 - 1 brins (hauteur perdue réduite - déport court)



Note:-

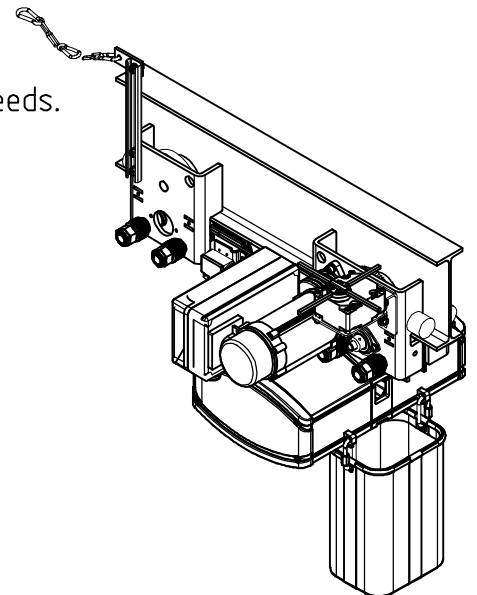
1.All added options will influence the dimensional drawing.

2.Add following values(in mm) to C dimension for given hoisting speeds.

4-12.5m/min	16-20m/min	24m/min	32m/min
0	15	30	45

3.Beam width

$$66 \leq F < 310$$



Chain Size [mm]	Max load [kg]	Chain bag capacity [m]	Dimensions [mm]		Weight [Kg]	
			M	C	Weight of chain kg/m	Estimated unit weight w/o chain
			CHAINster			
5x14	630	20	408	323	0.57	