

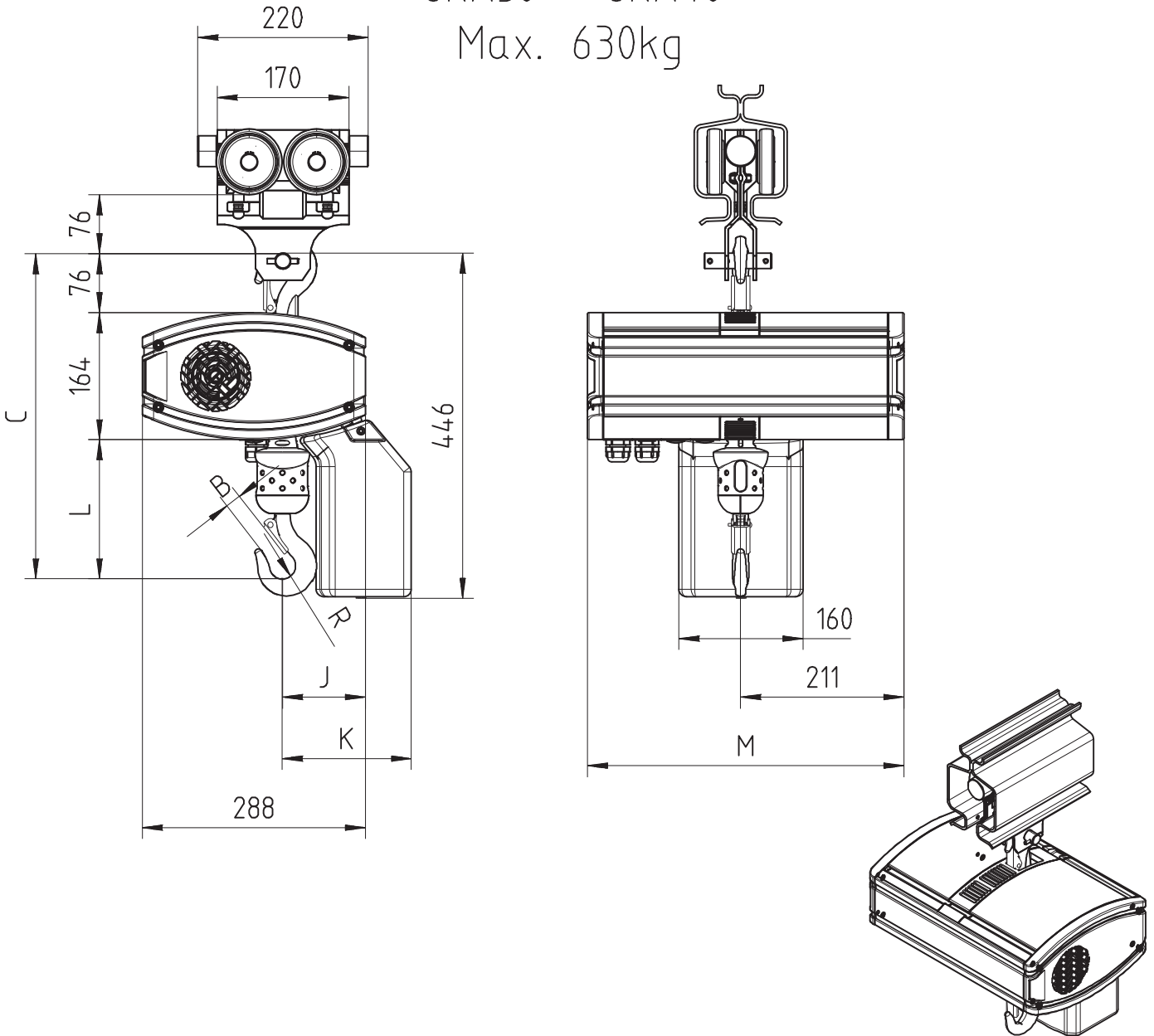
CB

MABLAETTER
DIMENSIONS
ENCOMBREMENTS



Mit PM SYSTEM Schiebefahrwerk (Quer zur Kettenzugachse)
Hooked to manual push trolley with PM SYSTEM (perpendicular version)
Accroché à chariot manuel PM SYSTEM (version perpendiculaire)

UKA30 - UKA40
Max. 630kg



Note: For hoisting speed 16m/min and higher, add 63 mm to Dimension C and L.

Chain Size in mm	Max load kg	Chain bag capacity	Dimensions in mm							Weight of 3m chain	Total weight w/o chain			
			B	C	L	R	J	K	Classic		GT	GLS	DB	
5x14	630	8m	21	420	180	17	107	167	1.78	35.3	39.3	37.6	36.4	
4x11	320	12m	19	396	156	15	109	169	1.11					
Dimension M in mm										408	531	498	438	

GLS: Gear Limit Switch
DB : Double Brake

SWF behält sich das Recht auf Veränderung oder Richtigstellung der oben genannten Information ohne weitere Mitteilung vor.

SWF reserves the right to alter or amend the above information without notice.

SWF se réserve le droit de modifier sans préavis les caractéristiques de son matériel.

DISCLOSED WITHOUT PRIOR WRITTEN CONSENT OF THE COMPANY . ANY COPIES OF THIS DOCUMENT MADE BY ANY METHOD MUST ALSO INCLUDE A COPY OF THIS LEGEND.

53109202
D201805-A
27/09/2012