

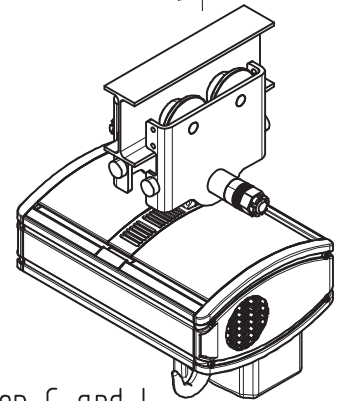
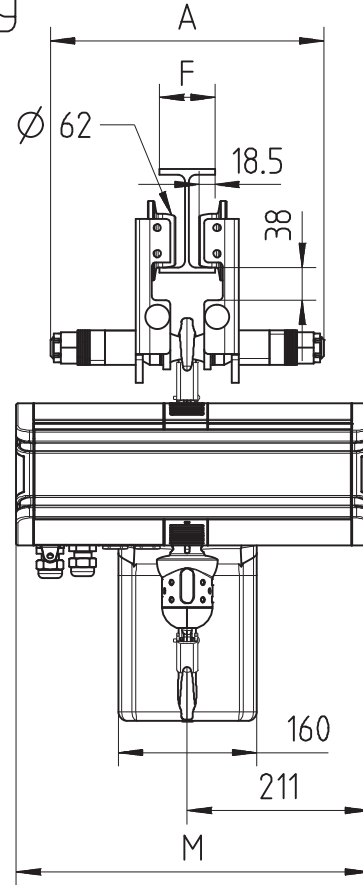
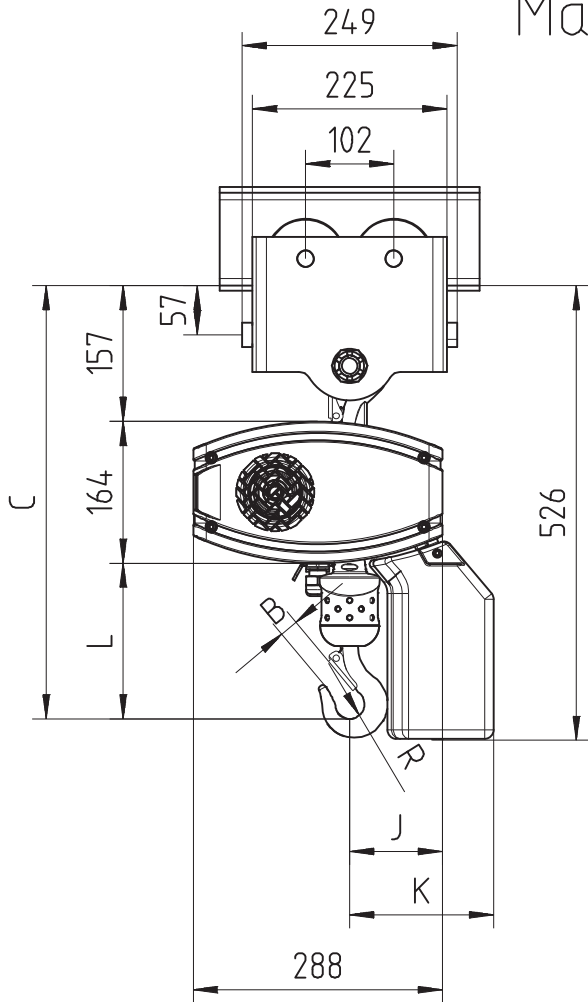
CB

MABLAETTER
DIMENSIONS
ENCOMBREMENTS



Mit Schiebefahrwerk FND 1000kg (Quer zur Kettenzugachse)
Hooked to FND 1000kg (perpendicular version)
Accroché à chariot manuel FND 1000kg (version perpendiculaire)

Max. 630kg



| | |
|---------------|-----|
| BEAM WIDTH | A |
| 65 < F < 200 | 322 |
| 200 < F < 310 | 430 |

Note: a) Mini. radius of curve for trolley is 1.5m.

b) For hoisting speed 16m/min and higher, add 63 mm to Dimension C and L.

| Chain Size in mm | Max load kg | Chain bag capacity | Dimensions in mm | | | | | | | Weight of 3m chain | Total weight w/o chain | | | |
|---------------------|----------------|--------------------|------------------|-----|-----|----|-----|-----|---------|-----------------------|------------------------|------|------|--|
| | | | B | C | L | R | J | K | Classic | | GT | GLS | DB | |
| 5x14 | 630 | 8m | 21 | 501 | 180 | 17 | 107 | 167 | 1.78 | 45.1 | 49 | 47.3 | 46.2 | |
| 4x11 | 320 | 12m | 19 | 477 | 156 | 15 | 109 | 169 | 1.11 | 408 | 531 | 498 | 438 | |
| Dimension M in mm | | | | | | | | | | 408 | 531 | 498 | 438 | |

GLS: Gear Limit Switch
DB : Double Brake

SWF behält sich das Recht auf Veränderung oder Richtigstellung der oben genannten Information ohne weitere Mitteilung vor.

SWF reserves the right to alter or amend the above information without notice.

SWF se réserve le droit de modifier sans préavis les caractéristiques de son matériel.

DISCLOSED WITHOUT PRIOR WRITTEN CONSENT OF THE COMPANY . ANY COPIES OF THIS DOCUMENT MADE BY ANY METHOD MUST ALSO INCLUDE A COPY OF THIS LEGEND.

53105259
D201030-A
26/09/2012