

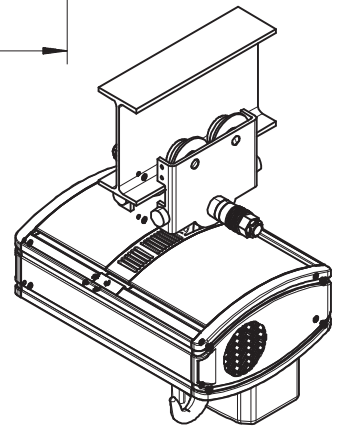
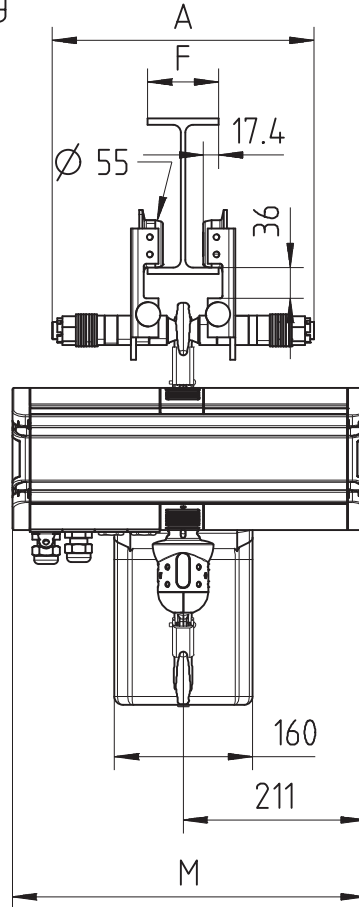
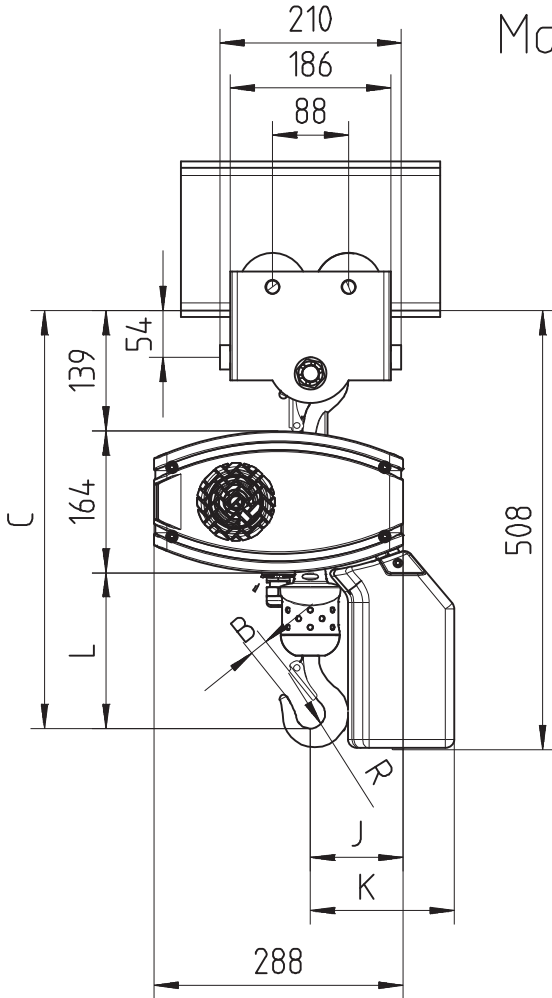
CB

MABLAETTER
DIMENSIONS
ENCOMBREMENTS



Mit Schiebefahrwerk FND 500Kg (Quer zur Kettzugachse)
Hooked to FND 500Kg (perpendicular version)
Accroché à chariot manuel FND 500Kg (version perpendiculaire)

Max. 500kg



BEAM WIDTH	A
50 < F < 200	303
188 < F < 310	411

Note: a) Minimum radius of curve for trolley is 1m.
b) For hoisting speed 16m/min and higher, add 63 mm to Dimension C and L.

Chain Size in mm	Max load kg	Chain bag capacity	Dimensions in mm					Weight of 3m chain	Total weight w/o chain				
			B	C	L	R	J		K	Classic	GT	GLS	DB
5x14	500	8m	21	483	180	17	107	167	1.78	34.1	38	36.3	26.5
4x11	320	12m	19	459	156	15	109	169	1.11				
Dimension M in mm										408	531	498	438

GLS: Gear Limit Switch
DB : Double Brake

SWF behält sich das Recht auf Veränderung oder Richtigstellung der oben genannten Information ohne weitere Mitteilung vor.

SWF reserves the right to alter or amend the above information without notice.

SWF se réserve le droit de modifier sans préavis les caractéristiques de son matériel.

DISCLOSED WITHOUT PRIOR WRITTEN CONSENT OF THE COMPANY . ANY COPIES OF THIS DOCUMENT MADE BY ANY METHOD MUST ALSO INCLUDE A COPY OF THIS LEGEND.

53113215
D202516-A
27/09/2012