

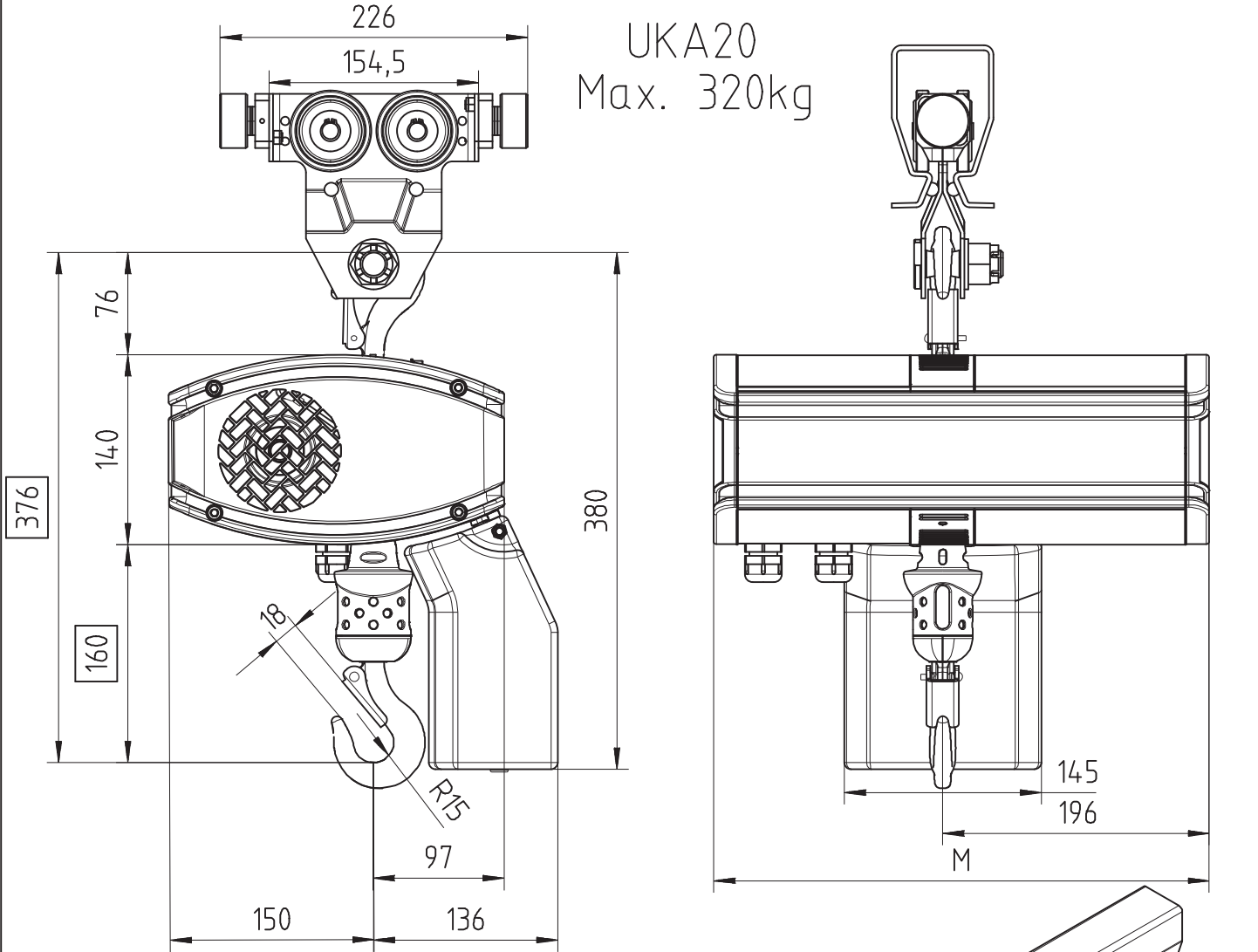
CA

MABLAETTER
DIMENSIONS
ENCOMBREMENTS



Mit PM SYSTEM Schiebefahrwerk (Quer zur Kettenzugachse)
Hooked to manual push trolley with PM SYSTEM (perpendicular version)
Accroché à chariot manuel PM SYSTEM (version perpendiculaire)

UKA20
Max. 320kg



Note: For hoisting speed 16m/min and higher, add 63 mm to Dimension **376** and **160**.

Chain Size in mm	Max load kg	Chain bag capacity	Weight of 3m chain	Total weight w/o chain		
				Classic	GLS	DB
4x11	320	8m	1.11	21.7	23.5	23.8
Dimension M in mm				365	454	417

GLS: Gear Limit Switch
DB : Double Brake

SWF behält sich das Recht auf Veränderung oder Richtigstellung der oben genannten Information ohne weitere Mitteilung vor.
SWF reserves the right to alter or amend the above information without notice.
SWF se réserve le droit de modifier sans préavis les caractéristiques de son matériel.
DISCLOSED WITHOUT PRIOR WRITTEN CONSENT OF THE COMPANY . ANY COPIES OF THIS DOCUMENT MADE BY ANY METHOD MUST ALSO INCLUDE A COPY OF THIS LEGEND.

53109167
D201791-A
03/10/2012