

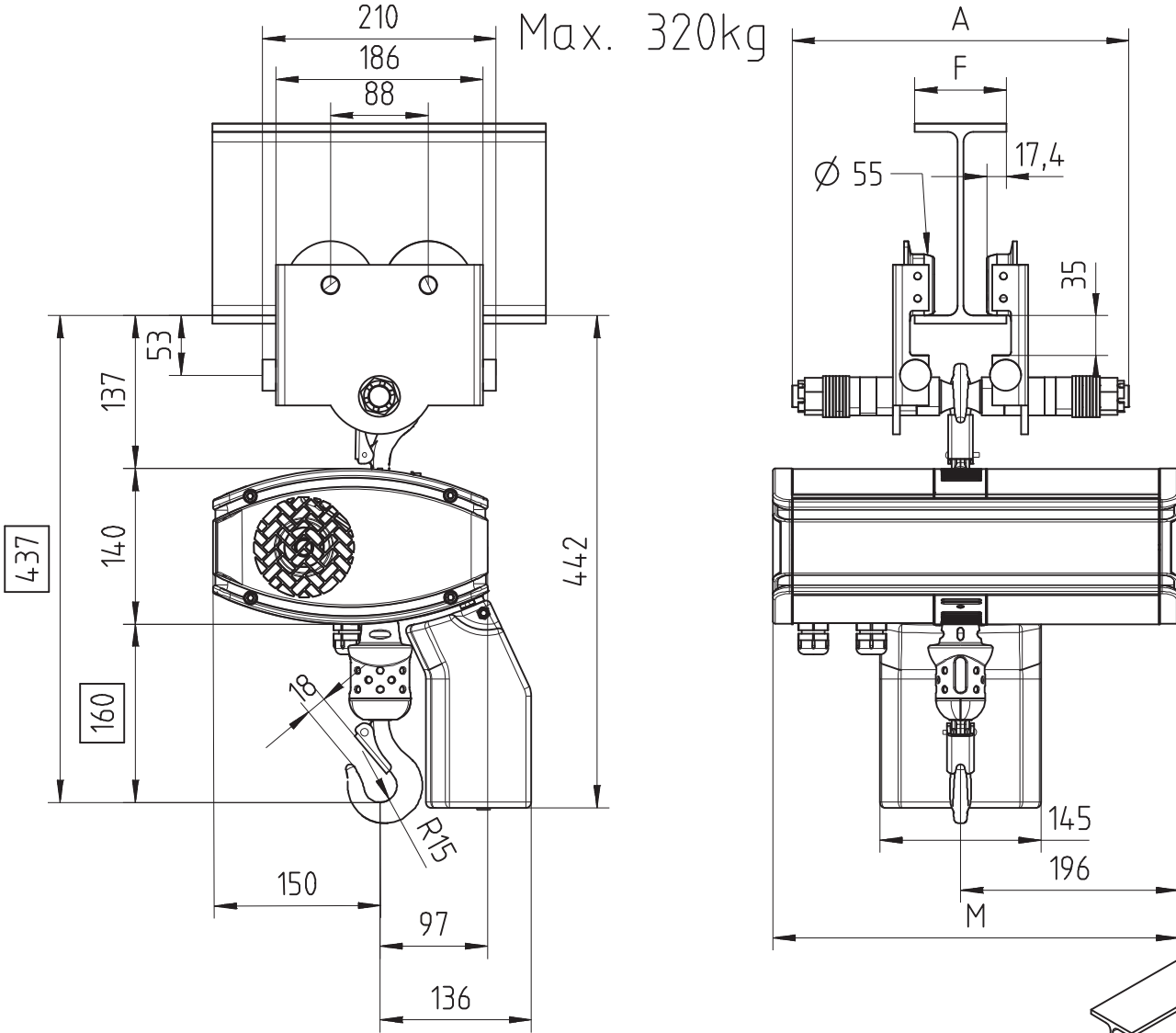
CA

MABLAETTER
DIMENSIONS
ENCOMBREMENTS



Mit Schiebefahrwerk FND 500Kg (Quer zur Kettenzugachse)
Hooked to FND 500Kg (perpendicular version)
Accroché à chariot manuel FND 500Kg (version perpendiculaire)

Max. 320kg

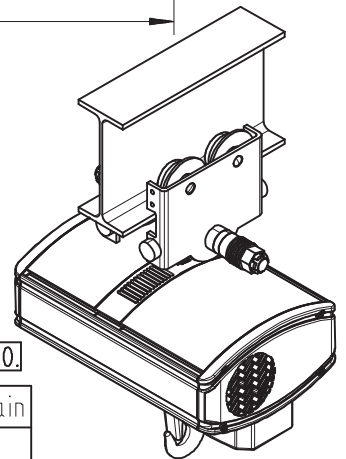


BEAM WIDTH	A
50 < F < 200	303
188 < F < 310	430

Note: a) Mini. radius of curve for trolley is 1m.
b) For hoisting speed 16m/min and higher, add 63 mm to Dimension **437** and **160**.

Chain Size in mm	Max load kg	Chain bag capacity	Weight of 3m chain	Total weight w/o chain		
				Classic	GLS	DB
4x11	320	8m	1.11	24.4	26.2	26.5
Dimension M in mm				365	454	417

GLS: Gear Limit Switch
DB : Double Brake



SWF behält sich das Recht auf Veränderung oder Richtigstellung der oben genannten Information ohne weitere Mitteilung vor.
SWF reserves the right to alter or amend the above information without notice.
SWF se réserve le droit de modifier sans préavis les caractéristiques de son matériel.
DISCLOSED WITHOUT PRIOR WRITTEN CONSENT OF THE COMPANY . ANY COPIES OF THIS DOCUMENT MADE BY ANY METHOD MUST ALSO INCLUDE A COPY OF THIS LEGEND

53105249
D201022-A
03/10/2012